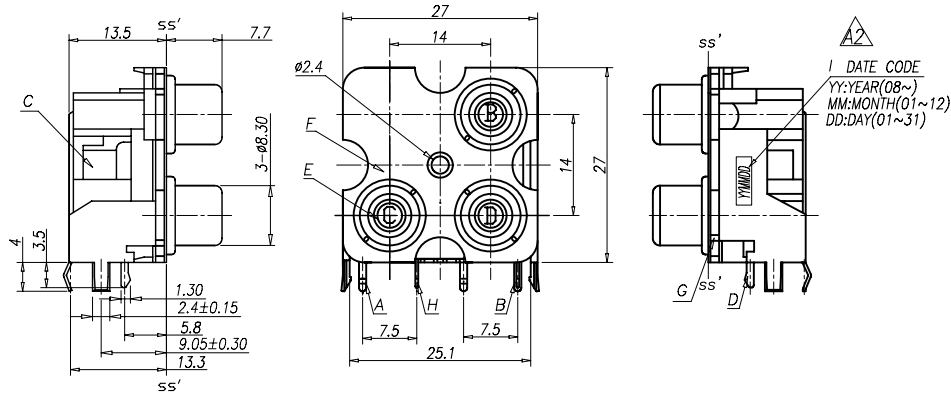


CATEGORY	DESCRIPTION	P/N #
CONNECTOR	RCA Jack, 2*2Ports, R/A, T/H, Shielded, Top Screw Hole*1	2PJ22R-13A7X-XXOR

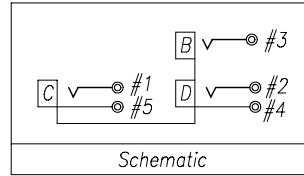
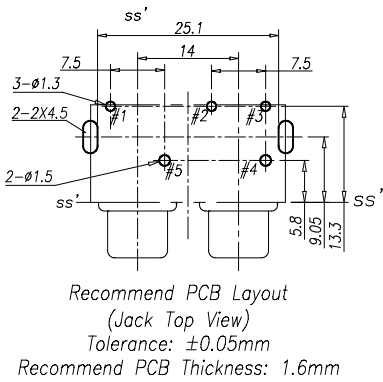
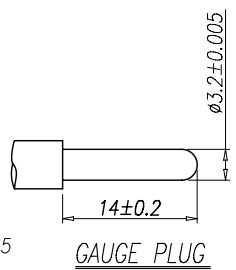
料號由2PJ22R-RA60-XX
變更為2PJ22R-13A7X-XX

REV.	ECN NO	DESCRIPTION	REVISED	DATE
A3	ECN080716001	料號由2PJ22R-13A7X-XX 變更為2PJ22R-13A7X-XXOR&整理圖面	JXM	2008.7.16
A04	ECN100406001	增加顏色	GMC	2010.4.1
A05	ECN110324002	修改相關產品零件料號, 新增顏色排序編號	WGH	2011.03.24



DATE CODE
YY:YEAR(08~)
MM:MONTH(01~12)
DD:DAY(01~31)

- SPECIFICATION**
- Voltage and Current Rating: 12V & 1A
 - Contact resistance: 30mΩ MAX.
 - Insulation resistance: 100MΩ MIN. @ DC500V
 - Withstand voltage: 500VAC for 1min.
 - Insertion Force: 3Kgf MAX.
 - Extraction Force: 0.3Kgf MIN.
 - Withdraw Force for Center Contact: 0.08Kgf MIN.
(Use a OD=3.2±0.005mm, Length=14±0.2mm Gauge Plug)
 - Terminal Strength: The terminal shall be capable of withstanding a force of 3Kgf applied in any direction for 0.5 seconds without losing and breakdown
 - Life test: 1,500 cycles
 - Temperature Range: -25°C~70°C
 - To conform with the "QC-03-045" & "RoHS DIRECTIVE"
 - Solder heat resistance: wave soldering 260°C 5 seconds



2PJ22R-13A7X-XXOR

See Color Scheme

X	Date Code
0	Without
1	With

Color Scheme

XX	Housing	A	B	C	D
68	Black	—	Green	Blue	Red
30	Black	—	Red	Yellow	White
31	Black	—	Black	White	Red
32	Black	—	White	Yellow	Red
33	Black	—	Yellow	Red	White

i	Ink	1	Domino IR-270BK & MC-270BK	Black	
h	Terminal #5	1	Brass, T=0.4mm	CuSn Plating	
g	Front Cover	2	ABS UL94-HB	Black	
f	Shielding	1	Brass, T=0.3mm	CuSn Plating	
e	Washer	3	PBT UL94V-0	See Color Scheme	
d	Terminal #4	1	Brass, T=0.4mm	CuSn Plating	
c	Housing	1	PBT UL94V-0	Black	
b	Terminal #3	1	Brass, T=0.4mm	CuSn Plating	
a	Terminal #1,2	2	Brass, T=0.4mm	CuSn Plating	
NO.	PART NAME	Q'TY	MATERIAL	PLATING & COLOR	REMARK

UNLESS OTHERWISE SPECIFIED TOLERANCES

TITLE	RCA Jack, 2*2Ports, R/A, T/H, Shielded, Top Screw Hole*1			
DWN	WGH	PART NO.	2PJ22R-13A7X-XXOR	
CHKD	JackLiu	SCALE	1:1	UNIT: mm
APVD	XZQ	SIZE:	A3	SHEET: 1 OF 1
REV: A05				
CUSTOMER COPY				