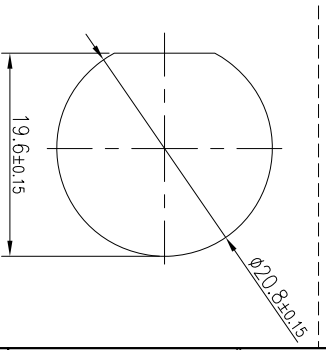
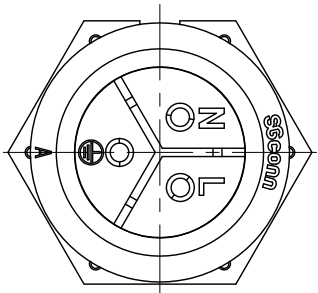
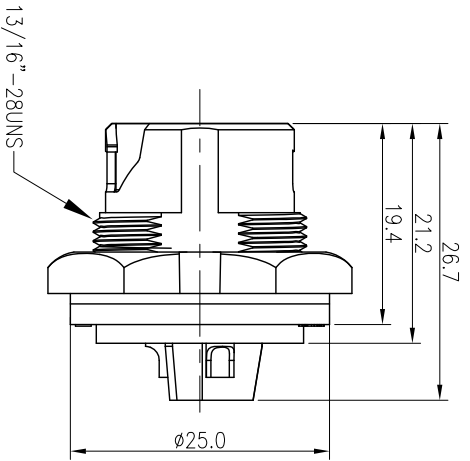
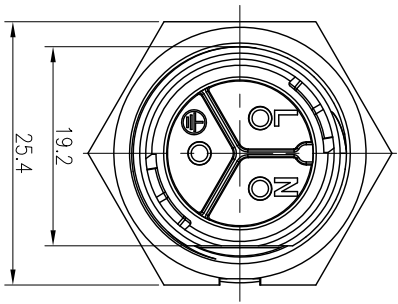
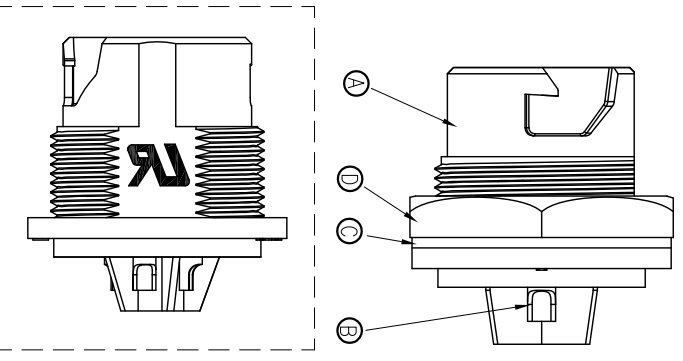


REV.	ECN NO.	OR DESCRIPTION	REVISED	DATE
A		PDR NO.:S140110-5A	Harlen	2014.11.27



RECOMMENDED PANEL CUT-OUT

- NOTES:
- ELECTRICAL CHARACTERISTICS:
    - CURRENT RATING: 10 AMPS.
    - CONTACT RESISTANCE: 30 mOhm Max.
    - INSULATION RESISTANCE: 100 MOhm Min. at 500VDC.
    - BREAKDOWN VOLTAGE: 500 VAC PER MINUTE.
  - MECHANICAL CHARACTERISTICS:
    - TIGHTENING TORQUES: 0.8~1.0Nm(7.08~8.85lbf.in.);
    - CONTACT ACCOMMODATION: 16~20 AWG.
  - ENVIRONMENTAL:
    - OPERATING TEMPERATURE: -40°C TO +105°C.
    - SEALING REQUIREMENTS: IP67.
    - LIFE TEST: 1,000 CYCLES MIN.
    - FOR PANEL THICKNESS MAX OF 3.5mm
    - OTHER GENERAL SPEC. TO REFER "QUICK SERIES GENERAL SPEC."
    - FOR TECHNICAL DATA REFER TO YOUR LOCAL SINGATRON ELECTRONICS SALES OFFICE.
    - ALL DIMENSIONS ARE NOMINAL FOR REFERENCE ONLY UNLESS OTHERWISE STATED.
    - TO CONFORM TO SINGATRON HAZARDOUS SUBSTANCE FREE SPEC.
    - GREEN PRODUCT IDENTIFICATION LABEL ON PACKAGING **Gr. Pass**



D	NO	DESCRIPTION	QTY	MATERIAL	PLATING & COLOR
D	1	NUT	1	PA66	GRAY
C	1	GASKET	1	SILICONE	BLACK
B	3	MALE PIN	3	BRASS	1~3μ" GOLD PLATING OVER NICKEL PLATING
A	1	BODY	1	PA66	GRAY

UNLESS OTHERWISE SPECIFIED TOLERANCES

DECIMALS:	ANGLES:
X :±0.5	X :±2°
X.X :±0.3	X.X :±1°
X.XX :±0.2	

Singatron Enterprise Co., Ltd.  
 信善企業股份有限公司  
 CIRCULAR SERIES QUICK TYPE MIDDLE SIZE  
 TITLE MALE CONN. MALE 3PIN  
 DWG Harlen PART NO. 20Q3002-W03401H  
 CHKD JF SCALE 2:1 UNIT: mm  
 APVD STEVE SIZE: A3 SHEET: 1 OF 1 REV: A

**CUSTOMER COPY**