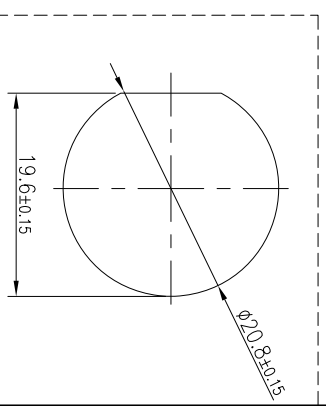
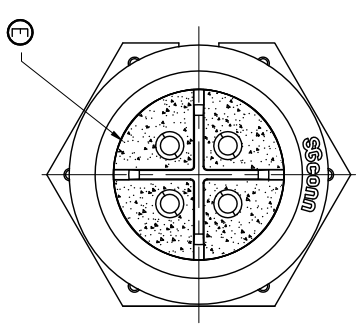
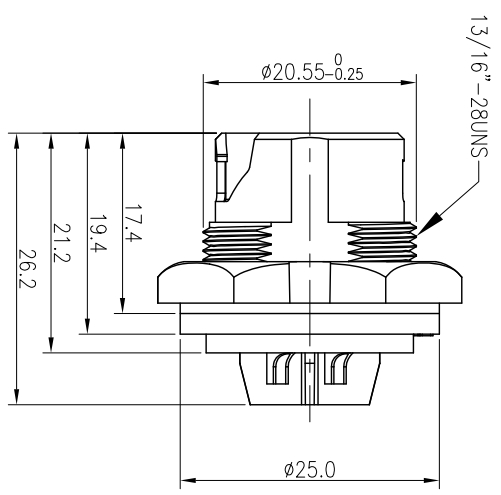
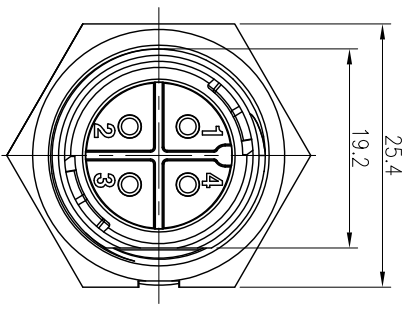
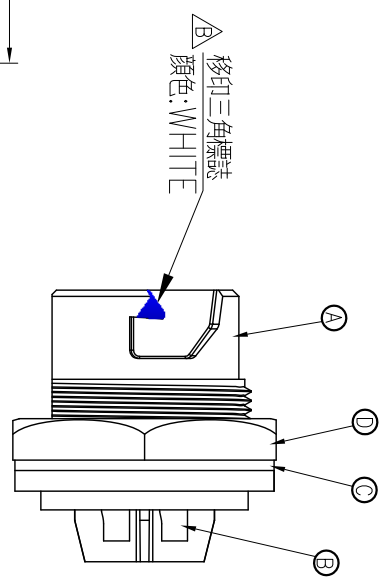


REV.	ECN NO.	OR DESCRIPTION	REVISED	DATE
A	PDR NO.:S140227-5B	Horlen	2015.1.20	
B	ECN NO.:S150367-R	Blues	2015.3.31	



RECOMMENDED PANEL CUT-OUT

- NOTES:
- ELECTRICAL CHARACTERISTICS:
 - CURRENT RATING: 10 AMPS.
 - CONTACT RESISTANCE: 30 mOhm Max.
 - INSULATION RESISTANCE: 100 MOhm Min. at 500VDC.
 - BREAKDOWN VOLTAGE: 500 VAC PER MINUTE.
 - MECHANICAL CHARACTERISTICS:
 - TIGHTENING TORQUES: 0.8~1.0Nm(7.08~8.85lbf.in.).
 - CONTACT ACCOMMODATION: 16~20 AWG.
 - ENVIRONMENTAL:
 - OPERATING TEMPERATURE: -40°C TO +105°C.
 - SEALING REQUIREMENTS: IP67.
 - LIFE TEST: 1,000 CYCLES MIN.
 - FOR PANEL THICKNESS MAX OF 3.5mm
 - OTHER GENERAL SPEC. TO REFER "CIRCULAR SERIES GENERAL SPEC."
 - FOR TECHNICAL DATA REFER TO YOUR LOCAL SINGATRON ELECTRONICS SALES OFFICE.
 - ALL DIMENSIONS ARE NOMINAL FOR REFERENCE ONLY UNLESS OTHERWISE STATED.
 - TO CONFORM TO SINGATRON HAZARDOUS SUBSTANCE FREE SPEC.
 - GREEN PRODUCT IDENTIFICATION LABEL ON PACKAGING **GREEN PASS**

E	LIQUID GLUE	1	N/A	BLACK
D	NUT	1	PC	BLACK
C	GASKET	1	SILICONE	BLACK
B	MALE PIN	4	BRASS	1~3u" GOLD PLATING OVER NICKEL PLATING
A	BODY	1	PA66	BLACK
NO	DESCRIPTION	QTY	MATERIAL	PLATING & COLOR

UNLESS OTHERWISE SPECIFIED TOLERANCES

DECIMALS:	ANGLES:
X : ±0.5	X : ±2°
X.X : ±0.3	X.X : ±1°
X.XX : ±0.2	

Singatron Enterprise Co., Ltd. 信晉企業股份有限公司	
CIRCULAR SERIES QUICK TYPE MIDDLE SIZE	
TITLE	MALE CONN. MALE 4PIN
DWN	Blues
CHKD	Horlen
APVD	Steve
PART NO.:2QM3002-W04400H	
SCALE 2:1 UNIT: mm	
SIZE: A3 SHEET: 1 OF 1 REV: B	

CUSTOMER COPY