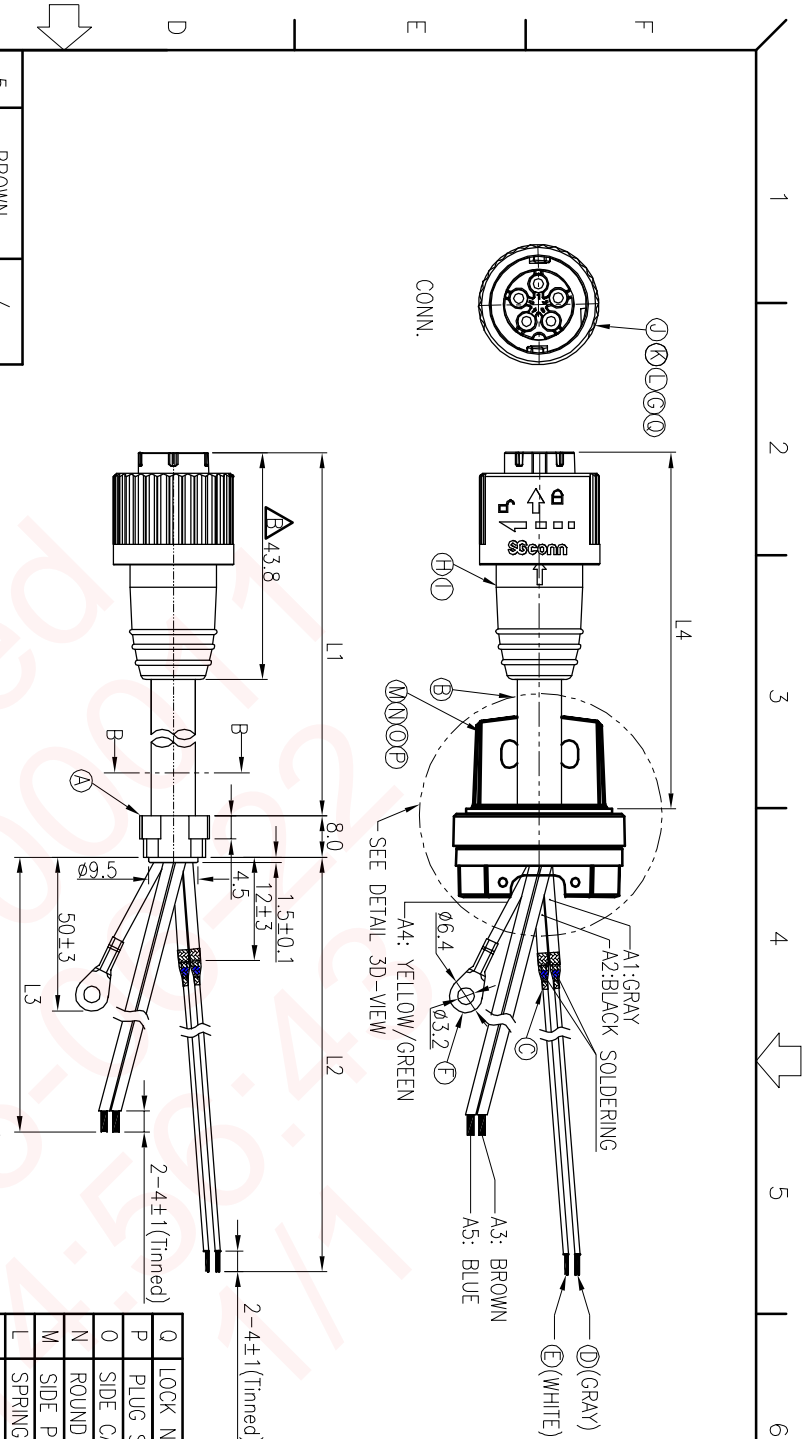
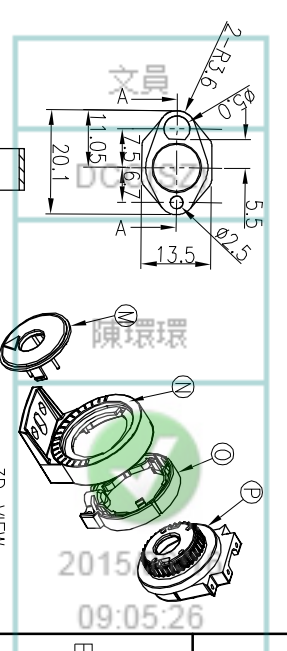
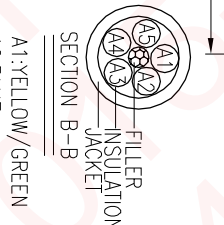


REV.	ECN NO	OR DESCRIPTION	REVISED	DATE
A	PDR NO.:S141121-1D~1F	Vicky	2015.04.03	
B	ECN NO.:S150627-RA	Vicky	2015.06.11	



CONN	WIRE COLOR	SOLDERING
1	YELLOW/GREEN	/
2	BLUE	/
3	GRAY	GRAY
4	BLACK	WHITE
5	BROWN	/

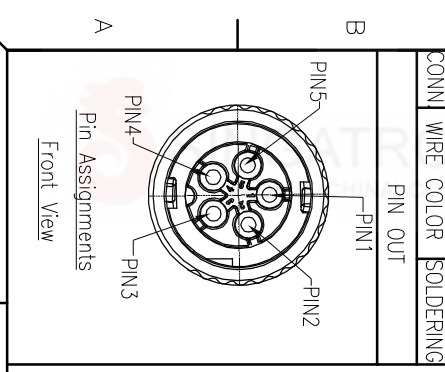
CUSTOMER P/N	SINGATRON P/N	L1	L2	L3	L4
MHASH100611100	ZQM3016-W05304H	72±3	180±5	65±3	67±8
MHASH100611110	ZQM3016-W05305H	142±8	180±5	65±3	137±8
MHASH100611120	ZQM3016-W05306H	220±8	110±5	65±3	215±8



- NOTES:
- ELECTRICAL CHARACTERISTICS:
 - 1-1 CURRENT RATING: 6 AMPS.
 - 1-2 CONTACT RESISTANCE: 3 Ohm Max.
 - 1-3 INSULATION RESISTANCE: 100 MOhm Min. at 500VDC.
 - 1-4 BREAKDOWN VOLTAGE: 500 VAC PER MINUTE.
 - ENVIRONMENTAL:
 - 2-1 OPERATING TEMPERATURE: -20°C TO +80°C.
 - 2-2 STORAGE TEMPERATURE: -40°C TO +80°C.
 - LIFE TEST: 1,000 CYCLES MIN.
 - OTHER GENERAL SPEC. TO REFER "CIRCULAR SERIES GENERAL SPEC."
 - FOR TECHNICAL DATA REFER TO YOUR LOCAL SINGATRON ELECTRONICS SALES OFFICE.
 - ALL DIMENSIONS ARE NOMINAL FOR REFERENCE ONLY UNLESS OTHERWISE STATED.
 - TO CONFORM TO SINGATRON HAZARDOUS SUBSTANCE FREE SPEC.
 - PULL FORCE TEST: 16kgf min. FOR 2MINS. WIRE MOVEMENT MUST BE LESS THAN 2mm.
 - CORE WIRES ORIENTATION MUST BE ARRANGED AS SECTION B-B INDICATED.
 - GREEN PRODUCT IDENTIFICATION LABEL ON PACKAGING: [Click Here](#).

Q	LOCK NUT	1	PA66	GRAY(PANTONG. 427C)
P	PLUG SHAFT	1	PC LEXAN 940 (WHITE)	MHTPH100610300
O	SIDE CAP HOLDER	1	PC LEXAN 940 (WHITE)	MHTPH100451410
N	ROUND END CAP	1	PC LEXAN 940 (WHITE)	MHTPH100610100
M	SIDE PLATE	1	PC LEXAN 940 (WHITE)	MHTPH100610400
L	SPRING	1	SUS	N/A
K	BODY	1	PA66	GRAY(PANTONG. 427C)
J	MALE PIN	5	MALE PIN	1~3u" GOLD PLATING OVER NICKEL PLATING
I	OVER MOLD	1	TPE	GRAY,PANTONE 427C
H	INNER MOLD	1	TPE	NATURAL
G	O-RING	1	SILICONE	BLUE
F	TERMINAL	1	R32041.1,T=0.3	TIN PLATED
E	WIRE	1	UL1430 24AWG	WHITE
D	WIRE	1	UL1430 24AWG	GRAY
C	HEAT SHRINK TUBE	2	L=12MM	BLACK
B	CABLE	1	H05VV-F 5G0.75mm ²	GRAY (PANTONE COLOR 427C)
A	SR MOLD	1	TPE	NATURAL

NO	DESCRIPTION	QTY	MATERIAL	PLATING & COLOR
UNLESS OTHERWISE SPECIFIED TOLERANCES				
SINGATRON ENTERPRISE CO., LTD.				
QUICK SERIES MIDDLE SIZE FEMALE CONN. MALE 5 PIN+CABLE				
TITLE: PAR# NO. ZQM3016-W05304-06H				
DWG: Vicky				
CHKD: Harden				
APVD: Steve				
SCALE: 1:1				
UNIT: mm				
SHEET: 1 OF 1				
REV: B				



Pin Assignments

Front View

DECIMALS:	ANGLES:
X : ±0.5	X : ±2°
XX : ±0.3	XX : ±1°
X.XX : ±0.2	