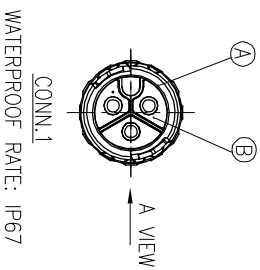
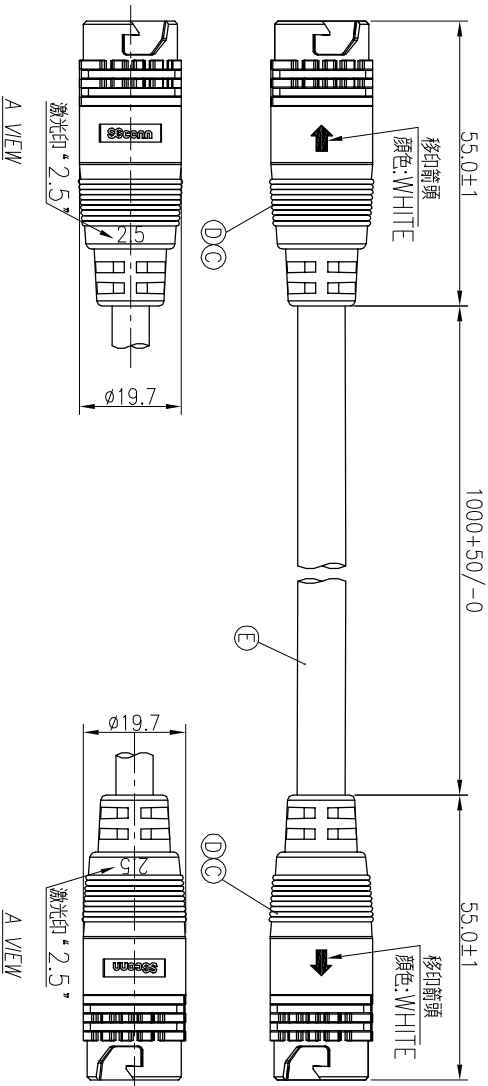
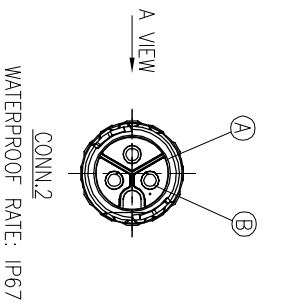
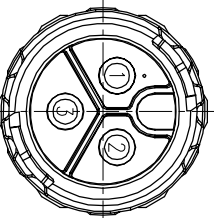


REV.	ECN NO.	OR DESCRIPTION	REVISED	DATE
A	PDR NO.:	S160318-1A	Vcky	2016.03.21



Singatron NO.	Customer NO.
2QM3024-W03606H	5.10.4718.41.873

YELLOW/GREEN	3
BROWN	2
BLUE	1
WIRE COLOR	CONN.1&2
PIN OUT	



- NOTES:
- ELECTRICAL CHARACTERISTICS:
    - CURRENT RATING: 20 AMPS.
    - CONTACT RESISTANCE: 3 Ohm Max.
    - INSULATION RESISTANCE: 100 Mohm Min. at 500VDC.
    - BREAKDOWN VOLTAGE: 1000 VAC PER MINUTE.
  - ENVIRONMENTAL:
    - OPERATING TEMPERATURE: -20°C TO +80°C.
    - SEALING REQUIREMENTS: IP67.
    - LIFE TEST: 1,000 CYCLES MIN.
    - OTHER GENERAL SPEC. TO REFER "QUICK SERIES GENERAL SPEC".
    - FOR TECHNICAL DATA REFER TO YOUR LOCAL SINGATRON ELECTRONICS SALES OFFICE.
    - ALL DIMENSIONS ARE NOMINAL FOR REFERENCE ONLY UNLESS OTHERWISE STATED.
    - TO CONFORM TO SINGATRON HAZARDOUS SUBSTANCE FREE SPEC.
    - GREEN PRODUCT IDENTIFICATION LABEL ON PACKAGING:

E	CABLE	1	3*2.5mm <sup>2</sup> (3.4634.1.458)	BLACK
D	INNER MOLD	2	TPU	NATURAL
C	OVER MOLD	2	TPU	BLACK
B	MALE PIN	6	BRASS	GOLD PLATING OVER NICKEL PLATING
A	BODY	2	PA66+GF	BLACK
NO	DESCRIPTION	QTY	MATERIAL	PLATING & COLOR

UNLESS OTHERWISE SPECIFIED TOLERANCES

TITLE	CIRCULAR SERIES QUICK TYPE MIDDLE SIZE(IP67)
MALE CONN. MALE 3 PIN	
DMW	Vcky
CHKD	Harlen
APVD	Steve
SCALE	1:1
UNIT	mm
SHEET	1 OF 1
REV	A

Singatron Enterprise Co., Ltd.  
信譽企業股份有限公司

PART NO. 2QM3024-W03606H

CUSTOMER COPY