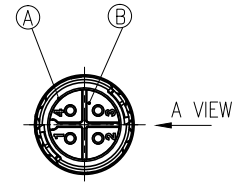
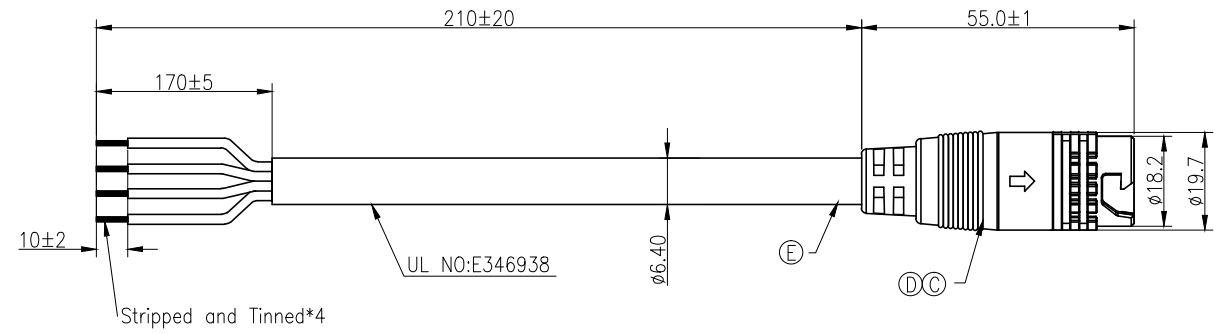
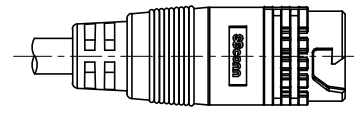


REV.	ECN NO OR DESCRIPTION	REVISED	DATE
A	PDR NO.:A190819-7B	JTT	2019.10.17



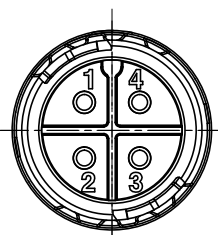
WATERPROOF RATE: IP67



A VIEW

WHITE	4
GRAY	3
PURPLE	2
BLACK	1
WIRE COLOR	CONN.

PIN OUT



Pin Assignments  
Front View

NOTES:

- ELECTRICAL CHARACTERISTICS:  
1-1 CURRENT RATING: 10 AMPS.  
1-2 CONTACT RESISTANCE: 3 Ohm Max.  
1-3 INSULATION RESISTANCE: 100 MOhm Min. at 500VDC.  
1-4 BREAKDOWN VOLTAGE: 1000 VAC PER MINUTE .
- ENVIRONMENTAL:  
2-1 OPERATING TEMPERATURE: -20°C TO +80°C.  
2-2 SEALING REQUIREMENTS: IP67.
- LIFE TEST: 1,000 CYCLES MIN.
- OTHER GENERAL SPEC. TO REFER"QUICK SERIES GENERAL SPEC".
- FOR TECHNICAL DATA REFER TO YOUR LOCAL SINGATRON ELECTRONICS SALES OFFICE.
- ALL DIMENSIONS ARE NOMINAL FOR REFERENCE ONLY UNLESS OTHERWISE STATED.
- TO CONFORM TO SINGATRON HAZARDOUS SUBSTANCE FREE SPEC.
- GREEN PRODUCT IDENTIFICATION LABEL ON PACKAGING: **G.P. PASS** .

NO	DESCRIPTION	QTY	MATERIAL	PLATING & COLOR
E	CABLE (客供)	1	UL2464 4X18AWG E346938	BLACK
D	INNER MOLD	1	TPU	NATURAL
C	OVER MOLD	1	TPU	BLACK
B	MALE PIN	4	BRASS	{(1~3)u" GOLD PLATING OVER NICKEL PLATING
A	BODY	1	THERMOPLASTIC	BLACK

UNLESS OTHERWISE SPECIFIED TOLERANCES

DECIMALS:	ANGLES:
X :±0.5	X :±2°
X.X :±0.3	X.X :±1°
X.XX :±0.2	

Singatron Enterprise Co., Ltd. 信音企業股份有限公司			
TITLE	CIRCULAR SERIES QUICK TYPE MIDDLE SIZE(180°,IP67) MALE CONN. MALE 4 PIN		
DWN	JTT	PART NO.2QM3024-W04402H	
CHKD	Cerry	SCALE 1:1	UNIT: mm
APVD	William	SIZE: A3	SHEET:1 OF 1 REV: A

CUSTOMER COPY