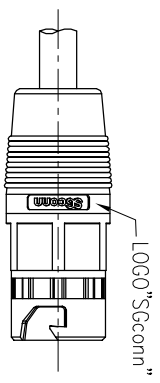
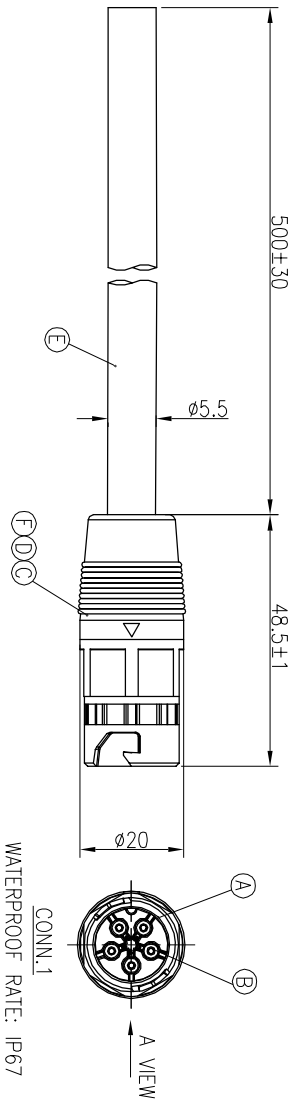
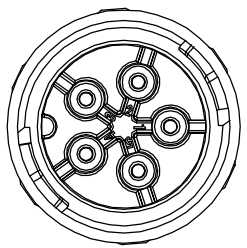


| REV. | ECN NO. | OR DESCRIPTION | REVISED | DATE |
|------|----------|----------------|---------|------------|
| A | PDR NO.: | A171101-3C | Yong | 2018.01.23 |



A VIEW

| | |
|------------|----------|
| GREEN | 5 |
| WHITE | 4 |
| BLACK | 3 |
| BLUE | 2 |
| BROWN | 1 |
| WIRE COLOR | CONN.1&2 |
| PIN OUT | |



CONN.1
Pin Assignments
Front View

- NOTES:
1. WATERPROOF RATE: IP66/IP67/IP68
 2. ELECTRICAL CHARACTERISTICS
TEMPERATURE RANGE:-40° TO +105°
RATING: 60V AC/DC 5A.
TEST CONDITION: DC300V 10Mohm 10ms
 3. SPECIFICATIONS:SEE "QUICK SERIES GENERAL SPEC".
 4. TO CONFORM TO ROHS REQUIREMENT AND REACH REGULATION
 5. GREEN PRODUCT IDENTIFICATION LABEL ON PACKAGING:
 6. NON-HUMAN FACTORS CASE SERVICE LIFE IS 5 YEARS

| | | | | |
|---|-------------|-----|-----------------------------|-------------------------------------|
| F | LIQUED GLUE | 1 | N/A | BLACK |
| E | CABLE | 1 | UL2464 22AWG*5C+AL OD5.5 | BLACK |
| D | CLAMP RING | 1 | PA66 | BLACK |
| C | OVER MOLD | 1 | PP | BLACK |
| B | MALE PIN | 5 | BRASS | GOLD PLATING OVER NICKEL PLATING |
| A | BODY | 1 | PA66+GF | BLACK |
| NO | DESCRIPTION | QTY | MATERIAL | PLATING & COLOR |
| UNLESS OTHERWISE SPECIFED TOLERANCES | | | | |
| Singatron Enterprise Co., Ltd. 信亨企業股份有限公司 | | | | |
| TITLE: CIRCULAR SERIES QUICK TYPE MIDDLE SIZE (180,IP66/IP67/IP68)MALE CONN. FEMALE 5 PIN | | | | |
| DECIMALS: | ANGLES: | | | |
| X : ±0.5 | X : ±2° | | | |
| X.X : ±0.3 | X.X : ±1° | | | |
| X.XX : ±0.2 | | | | |
| | | | | |
| APVD Stave SIZE: A3 SHEET: 1 OF 1 REV:2 CUSTOMER COPY | | | | |

