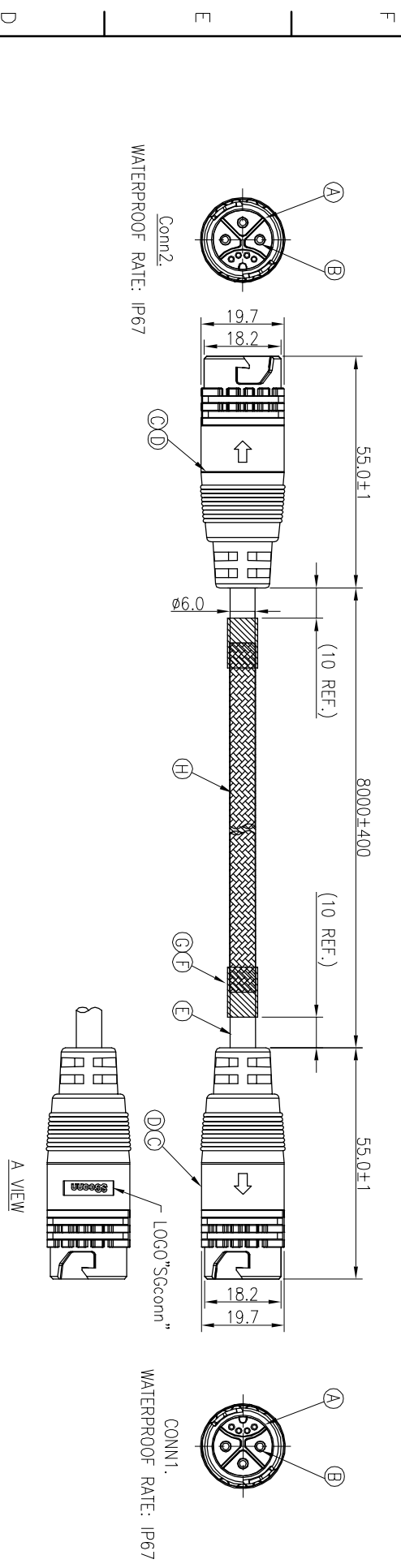
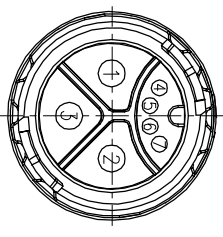


REV.	ECN NO.	OR DESCRIPTION	REVISED	DATE
A		PDR NO.:S160112-1B	JF	2017.11.22



7	GREEN	7
6	WHITE/GREEN	6
5	ORANGE	5
4	WHITE/ORANGE	4
3		3
2		2
1		1
CONN2. WIRE COLOR		CONN1.
PIN OUT		

B CONN1&2.



Pin Assignments  
Front View

Twist  
Twist

- NOTES:
1. WATERPROOF RATE: IP67
  2. ELECTRICAL CHARACTERISTICS CURRENT RATING: 2A
  3. SPECIFICATIONS:SEE "CIRCULAR SERIES SPECIFICATIONS".
  4. TO CONFORM TO SINGATRON HAZARDOUS SUBSTANCE FREE SPEC.
  5. GREEN PRODUCT IDENTIFICATION LABEL ON PACKAGING: **RoHS, PAHS**

H	MESH LOOM	1	NYLON	BLACK
G	ACETATE TAPE	2	W20 T0.18	BLACK
F	HEAT SHRINK TUBE	2	Ø8.0 125' 600V	BLACK
E	CABLE	1	CAT5E FTP 24#*4P+MY+D+A/M	BLACK(PVC JACKET)
D	INNER MOLD	2	TPU	NATURAL
C	OVER MOLD	2	TPU	BLACK
B	MALE PIN	14	BRASS	(1~3)µ" GOLD PLATING OVER NICKEL PLATING
A	MALE BODY	2	PA66+GF	BLACK
NO	DESCRIPTION	QTY	MATERIAL	PLATING & COLOR

UNLESS OTHERWISE SPECIFIED TOLERANCES

Singatron Enterprise Co., Ltd.  
信登企業股份有限公司

CIRCULAR SERIES QUICK TYPE MIDDLE SIZE(180'IP67)  
MALE CONN. MALE 3+4 PIN (20+2)A

PART NO. 20MM3024-W07E04H

SCALE 1:1 UNIT: mm

SIZE: A3 SHEET: 1 OF 1 REV: A

CUSTOMER COPY