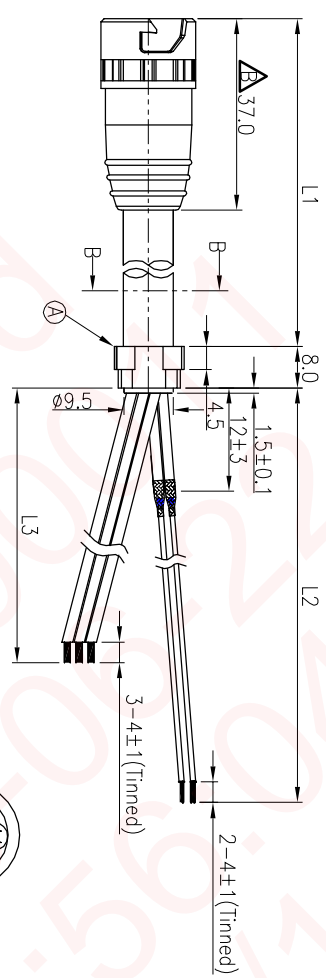
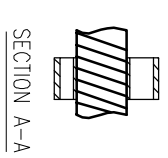
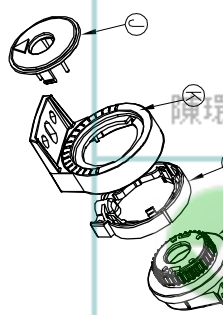
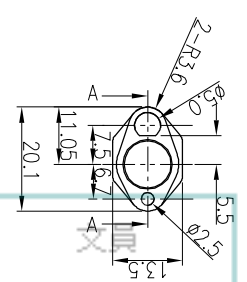
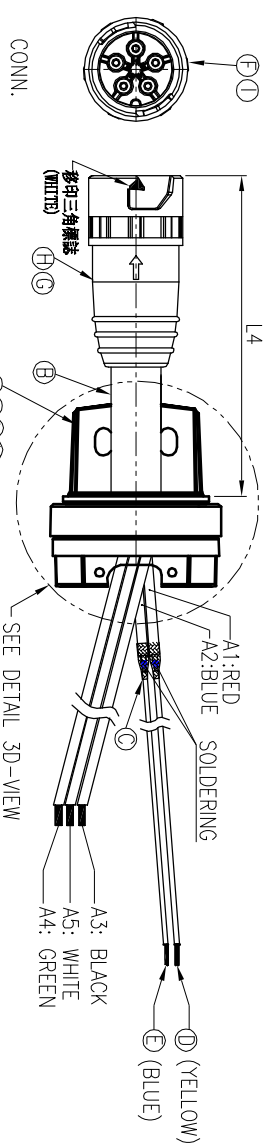


REV.	ECN NO OR DESCRIPTION	REVISED	DATE
A	PDR NO.:S141121-1G~11	Vicky	2015.04.03
B	ECN NO.:S150627-R	Vicky	2015.06.11

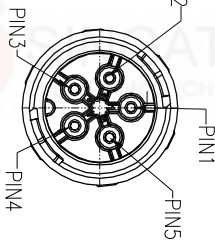


CUSTOMER P/N	SINGATRON P/N	L1	L2	L3	L4
MHASH100610200	2QM3030-W05301H	67±3	93±3	220±5	62±3
MHASH100610210	2QM3030-W05302H	137±3	100±5	233±5	132±3
MHASH100610220	2QM3030-W05303H	215±3	110±5	233±5	210±3

- NOTES:
- ELECTRICAL CHARACTERISTICS:
 - CURRENT RATING: 6 AMPS.
 - CONTACT RESISTANCE: 3 Ohm Max.
 - INSULATION RESISTANCE: 100 Mohm Min. at 500VDC.
 - BREAKDOWN VOLTAGE: 500 VAC PER MINUTE.
 - ENVIRONMENTAL:
 - OPERATING TEMPERATURE: -20°C TO +80°C.
 - STORAGE TEMPERATURE: -40°C TO +80°C.
 - LIFE TEST: 1,000 CYCLES MIN.
 - OTHER GENERAL SPEC. TO REFER "CIRCULAR SERIES GENERAL SPEC".
 - FOR TECHNICAL DATA REFER TO YOUR LOCAL SINGATRON ELECTRONICS SALES OFFICE.
 - ALL DIMENSIONS ARE NOMINAL FOR REFERENCE ONLY UNLESS OTHERWISE STATED.
 - TO CONFORM TO SINGATRON HAZARDOUS SUBSTANCE FREE SPEC.
 - PULL FORCE TEST: 16kgf min. FOR 2MINS. WIRE MOVEMENT MUST BE LESS THAN 2mm.
 - CORE WIRES ORIENTATION MUST BE ARRANGED AS SECTION B-B INDICATED.
 - GREEN PRODUCT IDENTIFICATION LABEL ON PACKAGING:



CONN. WIRE COLOR	SOLDERING
1	GREEN
2	WHITE
3	RED
4	BLUE
5	BLACK



Pin Assignments
Front View

- SECTION B-B
- A1: AWG18 (GREEN)
 A2: AWG18 (WHITE)
 A3: AWG18 (RED)
 A4: AWG18 (BLUE)
 A5: AWG18 (BLACK)
- SECTION A-A
- (A1) FILLER
 (A2) INSULATION
 (A3) JACKET

NO	DESCRIPTION	QTY	TPE	MATERIAL	PLATING & COLOR
A	SR MOLD	1	TPE	NATURAL	
B	CABLE	1	SJT(UL) 18AWG*5C	(PANTONE COLOR 427C)	GRAY
C	HEAT SHRINK TUBE	2	L=12MM	BLACK	
D	WIRE	1	UL1430 24AWG	YELLOW	
E	WIRE	1	UL1430 24AWG	BLUE	
F	BODY	1	PA66	GRAY(PANTONG 427C)	
G	INNER MOLD	1	TPE	NATURAL	
H	OVER MOLD	1	TPE	GRAY,PANTONE 427C	
I	FEMALE PIN	5	COPPER ALLOY	1~3u" GOLD PLATING OVER NICKEL PLATING	
J	SIDE PLATE	1	PC LEXAN 940(WHITE)	MHPH100610400	
K	ROUND END CAP	1	PC LEXAN 940(WHITE)	MHPH100610100	
L	SIDE CAP HOLDER	1	PC LEXAN 940(WHITE)	MHPH100451410	
M	PLUG SHAFT	1	PC LEXAN 940(WHITE)	MHPH100610300	

UNLESS OTHERWISE SPECIFIED TOLERANCES

DECIMALS: ANGLES:

X :±0.5 X :±2'
 XX :±0.3 X.X :±1'
 XXX :±0.2

Singatron Enterprise Co., Ltd.
 信營企業股份有限公司

QUICK SERIES MIDDLE SIZE
 TITLE MALE CONN. FEMALE 5 PIN+CABLE

CHKD: Vicky
 APVD: Steve
 SCALE: 1:1
 SHEET: 1 OF 1
 REV: B

CUSTOMER COPY