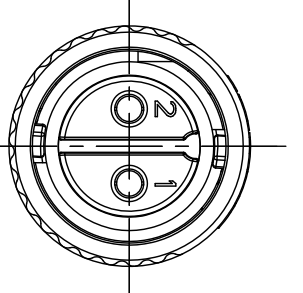
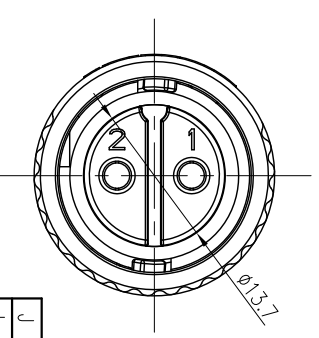
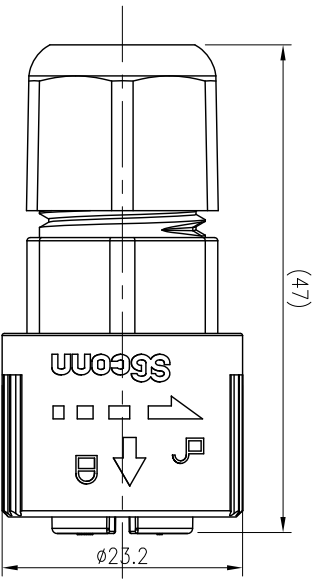
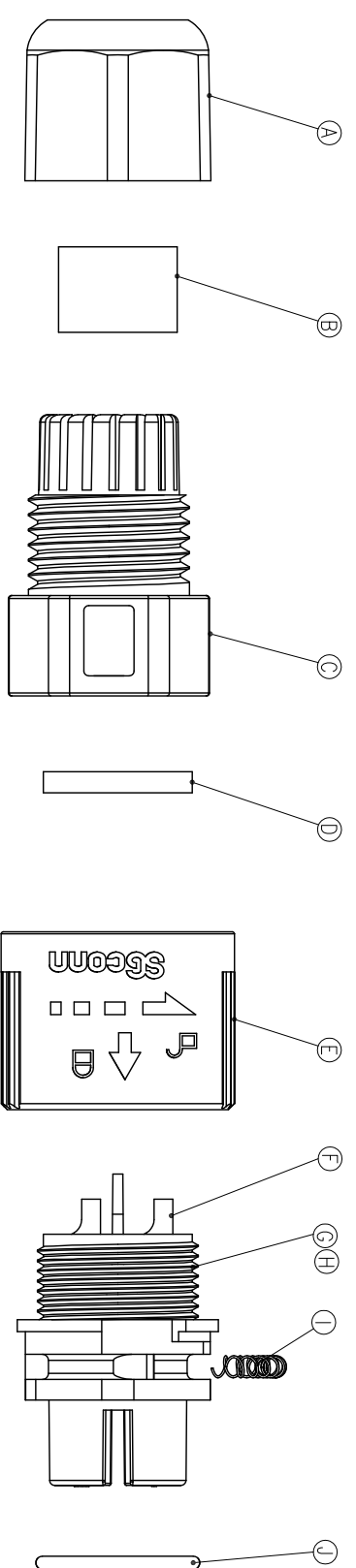


REV.	ECN NO.	OR DESCRIPTION	REVISED	DATE
A	PDR NO.:S140227-5H		Horlen	2015.1.20



Pin Assignments
Front View

- NOTES:
- ELECTRICAL CHARACTERISTICS:
 - 1-1 CURRENT RATING: 20 AMPS.
 - 1-2 CONTACT RESISTANCE: 30 mOhm Max.
 - 1-3 INSULATION RESISTANCE: 100 Mohm Min. at 500VDC.
 - 1-4 BREAKDOWN VOLTAGE: 1000 VAC PER MINUTE.
 - MECHANICAL CHARACTERISTICS:
 - 2-1 TIGHTENING TORQUES: 1.0~1.2Nm(8.85~10.62lbf.in.).
 - 2-2 CONTACT ACCOMMODATION:14~20 AWG.
 - ENVIRONMENTAL:
 - 3-1 OPERATING TEMPERATURE: -40°C TO +105°C.
 - 3-2 SEALING REQUIREMENTS: IP67.
 - 3-3 SEAL FOR CABLE OD:ø7.0mm~ø10.0mm.
 - LIFE TEST: 1,000 CYCLES MIN.
 - OTHER GENERAL SPEC TO REFER"QUICK SERIES GENERAL SPEC."
 - FOR TECHNICAL DATA REFER TO YOUR LOCAL SINGATRON ELECTRONICS SALES OFFICE.
 - ALL DIMENSIONS ARE NOMINAL FOR REFERENCE ONLY UNLESS OTHERWISE STATED.
 - TO CONFORM TO SINGATRON HAZARDOUS SUBSTANCE FREE SPEC.
 - GREEN PRODUCT IDENTIFICATION LABEL ON PACKAGING **SGP Pass**

J	O-RING	1	SILICONE	BLUE
I	SPRING	1	SUS	N/A
H	BODY	1	PA66	BLACK
G	LIQUID GLUE	1	N/A	BLACK
F	FEMALE PIN	2	Phosphor Bronze C5441	1~3u" GOLD PLATING OVER NICKEL PLATING
E	LOCK NUT	1	PC	GRAY
D	GASKET	1	SILICONE	BLACK
C	CLAMP RING	1	PC	BLACK
B	SEAL	1	SILICONE	BLACK
A	SEALING NUT	1	PA66	BLACK
NO	DESCRIPTION	QTY	MATERIAL	PLATING & COLOR
UNLESS OTHERWISE SPECIFIED TOLERANCES				
Singatron Enterprise Co., Ltd. 信善企業股份有限公司				
TITLE CIRCULAR SERIES QUICK TYPE MIDDLE SIZE FEMALE CONN. FEMALE 2 PIN				
DWG Horlen PART NO. 2QM3032-W02600H				
CHKD JF SCALE 2:1 UNIT: mm				
APVD Steve SIZE: A3 SHEET: 1 OF 1 REV: A				
CUSTOMER COPY				