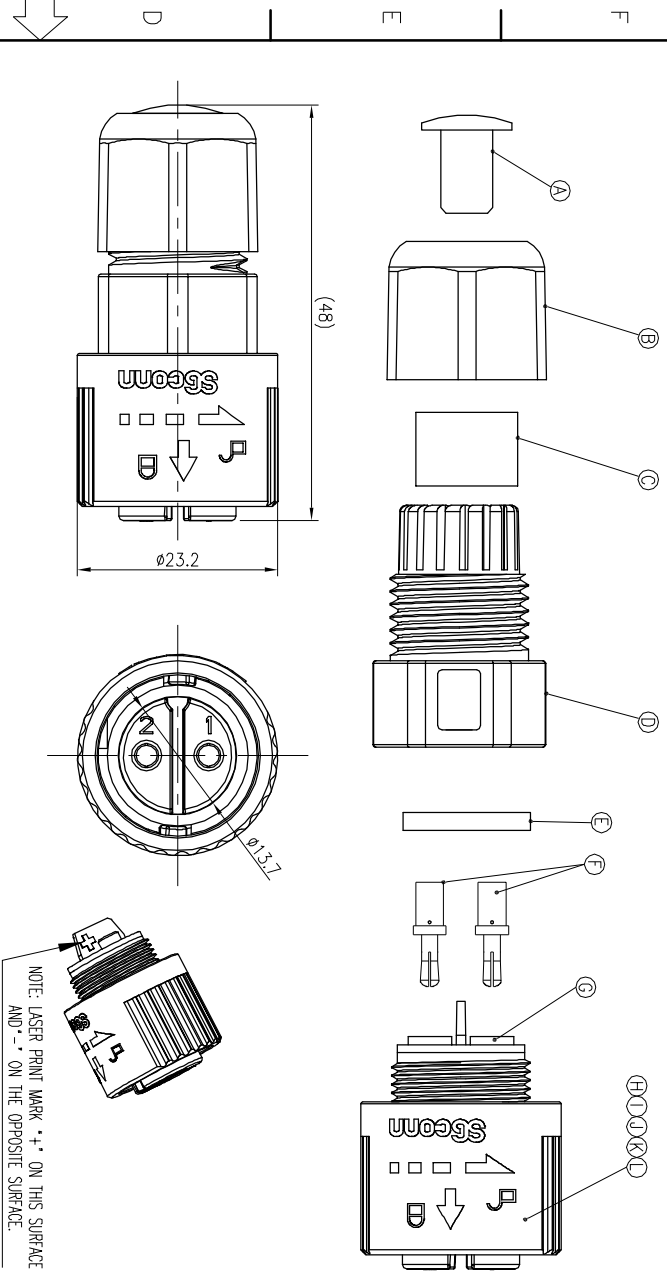
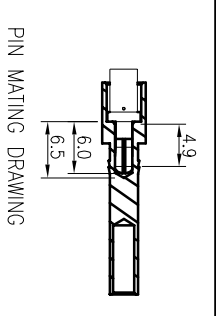
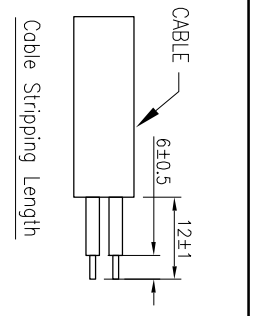
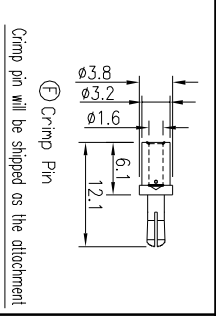
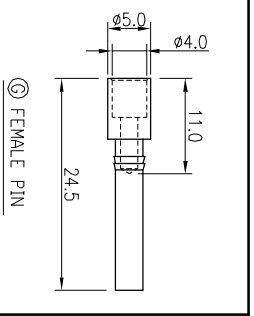
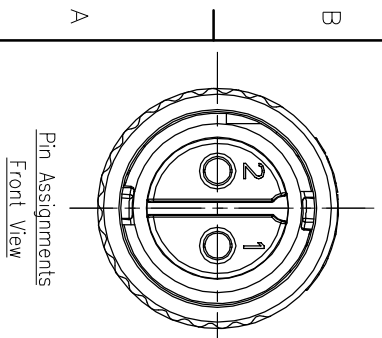


REV.	ECN NO OR DESCRIPTION	REVISED	DATE
A	PDR NO.: T210319-3A	RZ	2021.12.30
B	ECN NO.: S202209-R08	RZ	2023.02.22



CONN1	POWER JACK
2	-V
1	+V



- NOTES:
- ELECTRICAL CHARACTERISTICS:
 - 1-1 CURRENT RATING: 20 AMPS.
 - 1-2 CONTACT RESISTANCE: 30 mOhm Max.
 - 1-3 INSULATION RESISTANCE: 100 MOhm Min. at 500VDC.
 - 1-4 BREAKDOWN VOLTAGE: 1000 VAC PER MINUTE.
 - MECHANICAL CHARACTERISTICS:
 - 2-1 TIGHTENING TORQUES: 1.0~1.2Nm(8.85~10.62lbf.in.).
 - 2-2 RECOMMEND WIRE GAUGE:18 AWG.
 - ENVIRONMENTAL:
 - 3-1 OPERATING TEMPERATURE: -40°C TO +105°C.
 - 3-2 SEALING REQUIREMENTS: IP67.
 - SEAL FOR CABLE OD:φ5.5mm~φ9.0mm
 - LIFE TEST: 1,000 CYCLES MIN.
 - OTHER GENERAL SPEC TO REFER"QUICK SERIES GENERAL SPEC".
 - FOR TECHNICAL DATA REFER TO YOUR LOCAL SINGATRON ELECTRONICS SALES OFFICE.
 - ALL DIMENSIONS ARE NOMINAL FOR REFERENCE ONLY UNLESS OTHERWISE STATED.
 - TO CONFORM TO SINGATRON HAZARDOUS SUBSTANCE FREE SPEC.
 - GREEN PRODUCT IDENTIFICATION LABEL ON PACKAGING:
 - CRIMP TOOL SIZE(0.100"HEX)
 - 每Pcs產品用Pcs Crimp Pin 且密封包裝出貨.

NO	DESCRIPTION	QTY	MATERIAL	PLATING & COLOR
L	LOCK NUT	1	PC	GRAY
K	O-RING	1	SILICONE	BLUE
J	SPRING	1	SUS	N/A
I	LIQUID GLUE	1	N/A	BLACK
H	BODY	1	PA66	BLACK
G	FEMALE PIN	2	Phosphor Bronze	30U" AU PLATING OVER NICKEL PLATING
F	Crimp Pin	4	QSn4-3	Gold flash Plating Over Nickel Plating
E	GASKET	1	SILICONE	BLACK
D	CLAMP RING	1	PC	BLACK
C	SEAL	1	EPDM	BLACK
B	SALING NUT	1	PA66	BLACK
A	SEALING PLUG	1	PA66	BLACK

DECIMALS:	ANGLES:
X :±0.5	X :±2°
XX :±0.3	XX :±1°
XXX :±0.2	

UNLESS OTHERWISE SPECIFIED TOLERANCES

Suzhou Singatron Auto Electronics CO.,LTD.
蘇州信營汽車電子有限公司

CIRCULAR SERIES QUICK TYPE MIDDLE SIZE
FEMALE CONN. FEMALE 2 PIN

TITLE: **PART NO.2QM3032-W02603H**

DMW RZ

CHKD JF SCALE 2:1 UNIT: mm

APVD JF SIZE: A4 SHEET:1 OF 1 REV: B

CUSTOMER COPY