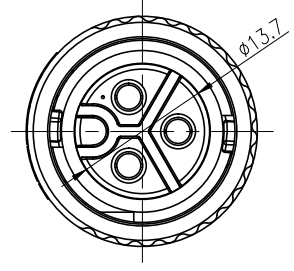
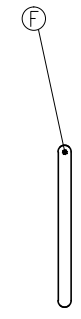
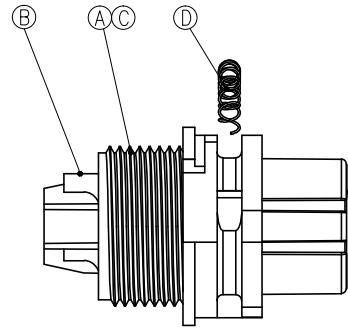
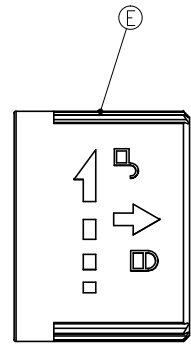
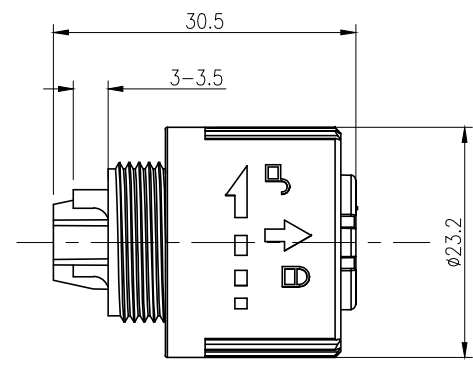
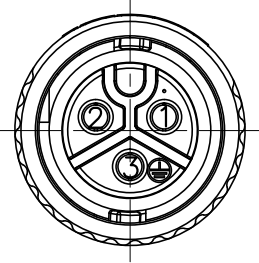


REV.	ECN NO OR DESCRIPTION	REVISED	DATE
A	PDR NO.:A190702-1A	JTT	2019.07.16



NOTES:

- ELECTRICAL CHARACTERISTICS:
 - CURRENT RATING: 15 AMPS.
 - CONTACT RESISTANCE: 30 mOhm Max.
 - INSULATION RESISTANCE: 100 MOhm Min. at 500VDC.
 - BREAKDOWN VOLTAGE: 1000 VAC PER MINUTE.
- MECHANICAL CHARACTERISTICS:
 - TIGHTENING TORQUES: 1.0~1.2Nm(8.85~10.62lbf.in.).
 - CONTACT ACCOMMODATION: 14~20 AWG.
- ENVIRONMENTAL:
 - OPERATING TEMPERATURE: -40°C TO +105°C.
- SEAL FOR CABLE OD: $\phi 7.0\text{mm} \sim \phi 10.0\text{mm}$.
- LIFE TEST: 1,000 CYCLES MIN.
- OTHER GENERAL SPEC TO REFER "QUICK SERIES GENERAL SPEC".
- FOR TECHNICAL DATA REFER TO YOUR LOCAL SINGATRON ELECTRONICS SALES OFFICE.
- ALL DIMENSIONS ARE NOMINAL FOR REFERENCE ONLY UNLESS OTHERWISE STATED.
- TO CONFORM TO SINGATRON HAZARDOUS SUBSTANCE FREE SPEC.
- GREEN PRODUCT IDENTIFICATION LABEL ON PACKAGING: **G.P. PASS**.



Pin Assignments
Front View

F	O-RING	1	SILICONE	BLUE
E	LOCK NUT	1	PC	GRAY
D	SPRING	1	SUS	N/A
C	LIQUID GLUE	1	N/A	BLACK
B	FEMALE PIN	3	Phosphor Bronze	1~3u" GOLD PLATING OVER NICKEL PLATING
A	BODY	1	THERMOPLASTIC	BLACK
NO	DESCRIPTION	QTY	MATERIAL	PLATING & COLOR

UNLESS OTHERWISE SPECIFIED TOLERANCES		Singatron Enterprise Co., Ltd. 信音企業股份有限公司			
DECIMALS:	ANGLES:	TITLE			
X : ±0.5	X : ±2°	CIRCULAR SERIES QUICK TYPE MIDDLE SIZE FEMALE CONN. FEMALE 3 PIN			
X.X : ±0.3	X.X : ±1°	DWN	JTT	PART NO. 2QM3032-W03611H	
X.XX : ±0.2		CHKD	Cerry	SCALE 2:1	UNIT: mm
		APVD	William	SIZE: A3	SHEET: 1 OF 1 REV: A
CUSTOMER COPY					