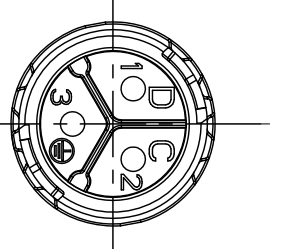
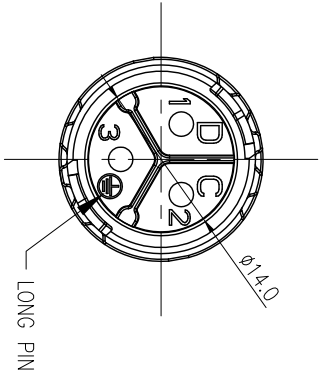
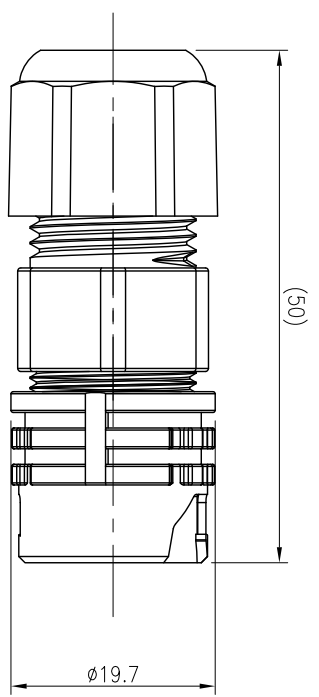
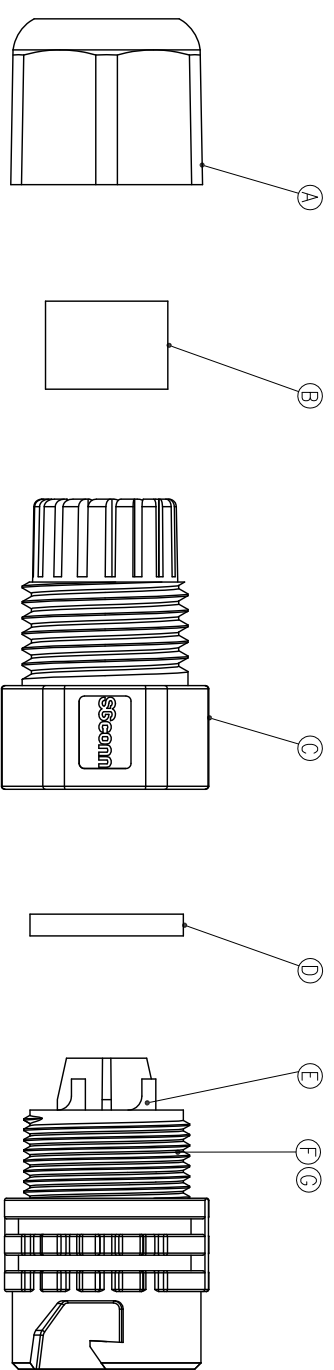


REV/ECN NO	OR DESCRIPTION	REVISED	DATE
A	PDR NO.:T141223-6Z	Horlen	2015.2.8



- NOTES:
- ELECTRICAL CHARACTERISTICS:
    - 1-1 CURRENT RATING: 10 AMPS.
    - 1-2 CONTACT RESISTANCE: 30 mOhm Max.
    - 1-3 INSULATION RESISTANCE: 100 Mohm Min. at 500VDC.
    - 1-4 BREAKDOWN VOLTAGE: 1000 VAC PER MINUTE.
  - MECHANICAL CHARACTERISTICS:
    - 2-1 TIGHTENING TORQUES: 1.0~1.2Nm(8.85~10.62lbf.in.)
    - 2-2 CONTACT ACCOMMODATION: 16~20 AWG.
  - ENVIRONMENTAL:
    - 3-1 OPERATING TEMPERATURE: -40°C TO +105°C.
    - 3-2 SEALING REQUIREMENTS: IP67.
  - SEAL FOR CABLE OD:  $\phi 6.0\text{mm} \sim \phi 9.0\text{mm}$ .
  - LIFE TEST: 1,000 CYCLES MIN.
  - OTHER GENERAL SPEC TO REFER "QUICK SERIES GENERAL SPEC".
  - FOR TECHNICAL DATA REFER TO YOUR LOCAL SINGATRON ELECTRONICS SALES OFFICE.
  - ALL DIMENSIONS ARE NOMINAL FOR REFERENCE ONLY UNLESS OTHERWISE STATED.
  - TO CONFORM TO SINGATRON HAZARDOUS SUBSTANCE FREE SPEC.
  - GREEN PRODUCT IDENTIFICATION LABEL ON PACKAGING **GR Pass**.

G	BODY	1	PA66	BLACK
F	LIQUID GLUE	1	N/A	BLACK
E	MALE PIN	3	BRASS	1~3 $\mu$ " GOLD PLATING OVER NICKEL PLATING
D	GASKET	1	SILICONE	BLACK
C	CLAMP RING	1	PC	BLACK
B	SEAL	1	SILICONE	BLACK
A	SEALING NUT	1	PA66	BLACK
NO	DESCRIPTION	QTY	MATERIAL	PLATING & COLOR
UNLESS OTHERWISE SPECIFIED TOLERANCES				
Singatron Enterprise Co., Ltd. 信亨企業股份有限公司				
TITLE: CIRCULAR SERIES QUICK TYPE MIDDLE SIZE MALE CONN. MALE 3 PIN				
DECIMALS:	ANGLES:			
X : :±0.5	X : :±2°			
X.X : :±0.3	X.X : :±1°			
X.XX : :±0.2				
DWG: Horlen CHKD: JF APVD: STEVE PART NO.: 2QM3033-W03403H SCALE: 2:1 SIZE: A3 SHEET: 1 OF 1 REV: A				
<b>CUSTOMER COPY</b>				