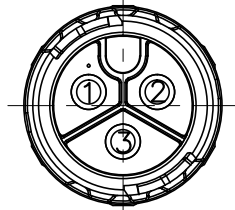
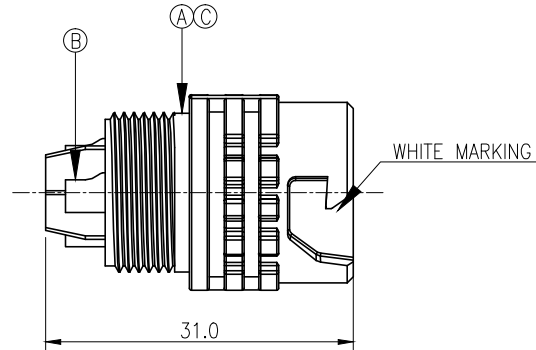
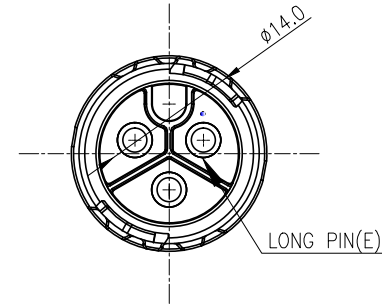
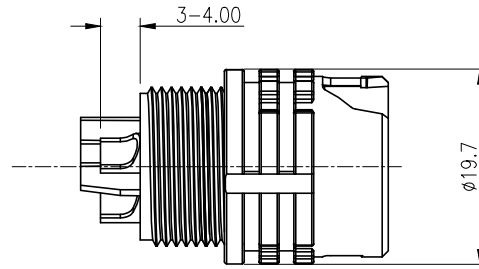


REV.	ECN NO OR DESCRIPTION	REVISED	DATE
A	PDR NO.:A190702-1D	JTT	2019.07.16



Pin Assignments
Front View

NOTES:

- ELECTRICAL CHARACTERISTICS:
 - CURRENT RATING: 16 AMPS.
 - CONTACT RESISTANCE: 30 mOhm Max.
 - INSULATION RESISTANCE: 100 MOhm Min. at 500VDC.
 - BREAKDOWN VOLTAGE: 1000 VAC PER MINUTE.
- MECHANICAL CHARACTERISTICS:
 - TIGHTENING TORQUES: 1.0~1.2Nm(8.85~10.62lbf.in.).
 - CONTACT ACCOMMODATION: 14~20 AWG.
- ENVIRONMENTAL:
 - OPERATING TEMPERATURE: -40°C TO +105°C.
 - SEALING REQUIREMENTS: IP67.
- SEAL FOR CABLE OD: $\phi 7.0\text{mm} \sim \phi 10.0\text{mm}$.
- LIFE TEST: 1,000 CYCLES MIN.
- OTHER GENERAL SPEC TO REFER "QUICK SERIES GENERAL SPEC".
- FOR TECHNICAL DATA REFER TO YOUR LOCAL SINGATRON ELECTRONICS SALES OFFICE.
- ALL DIMENSIONS ARE NOMINAL FOR REFERENCE ONLY UNLESS OTHERWISE STATED.
- TO CONFORM TO SINGATRON HAZARDOUS SUBSTANCE FREE SPEC.
- GREEN PRODUCT IDENTIFICATION LABEL ON PACKAGING: **G.P. PASS**

C	LIQUID GLUE	1	N/A	BLACK
B	MALE PIN	3	BRASS	1~3u" GOLD PLATING OVER NICKEL PLATING
A	BODY	1	THERMOPLASTIC	BLACK
NO	DESCRIPTION	QTY	MATERIAL	PLATING & COLOR

UNLESS OTHERWISE SPECIFIED TOLERANCES		Singatron Enterprise Co., Ltd. 信音企業股份有限公司			
DECIMALS:	ANGLES:	TITLE CIRCULAR SERIES QUICK TYPE MIDDLE SIZE MALE CONN. MALE 3 PIN DWN JTT PART NO. 2QM3033-W03602H			
X : ±0.5	X : ±2°	CHKD	Cerry	SCALE 2:1	UNIT: mm
X.X : ±0.3	X.X : ±1°	APVD	William	SIZE: A3	SHEET: 1 OF 1
X.XX : ±0.2		REV: A CUSTOMER COPY			