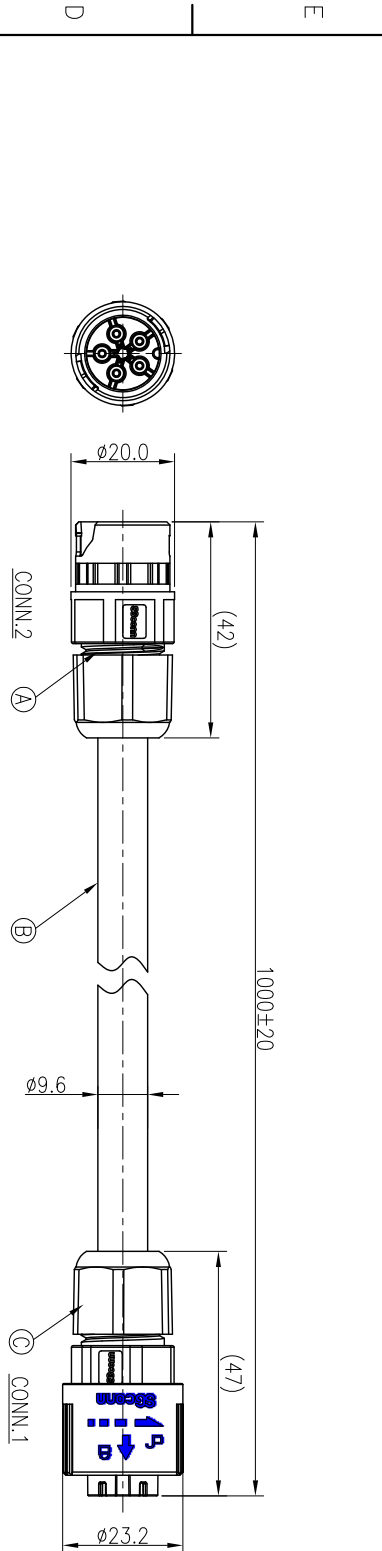
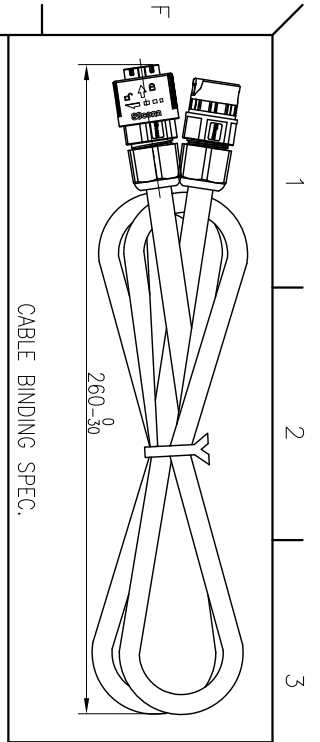
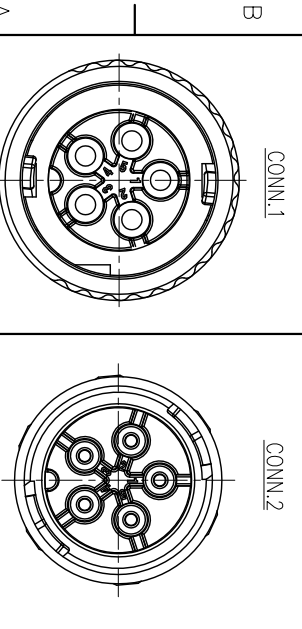


REV.	ECN NO.	OR DESCRIPTION	REVISED	DATE
A	PDR NO.:	S140114-2B	Harlen	2014.11.28



5	L	BLACK	5	L
4	-	BLUE	4	-
3	+	RED	3	+
2	N	WHITE	2	N
1	⊕	GREEN	1	⊕
CONN.1		WIRE COLOR	CONN.2	
		PIN OUT		

- NOTES:
- ELECTRICAL CHARACTERISTICS:
 - CURRENT RATING: 6 AMPS.
 - CONTACT RESISTANCE: 100 mΩhm Max.(INCLUDED CABLE'S RESISTANCE).
 - INSULATION RESISTANCE: 100 MΩhm Min. at 500VDC.
 - BREAKDOWN VOLTAGE: 500 VAC PER MINUTE.
 - ENVIRONMENTAL:
 - OPERATING TEMPERATURE: -20°C TO +80°C.
 - SEALING REQUIREMENTS: N/A.
 - LIFE TEST: 1,000 CYCLES MIN.
 - OTHER GENERAL SPEC. TO REFER"QUICK SERIES GENERAL SPEC"
 - FOR TECHNICAL DATA REFER TO YOUR LOCAL SINGATRON ELECTRONICS SALES OFFICE.
 - ALL DIMENSIONS ARE NOMINAL FOR REFERENCE ONLY UNLESS OTHERWISE STATED.
 - TO CONFORM TO SINGATRON HAZARDOUS SUBSTANCE FREE SPEC.
 - GREEN PRODUCT IDENTIFICATION LABEL ON PACKAGING: **GREEN PASS**



PIN ASSIGNMENTS
FRONT VIEW



C	2QM3037-W05301H	MALE CONN.	GRAY(PANTONG 427C)
B	CABLE	SJT 5C*18AWG	GRAY(PANTONG 427C)
A	2QM3036-W05301H	FEMALE CONN.	GRAY(PANTONG 427C)
NO	DESCRIPTION	QTY	MATERIAL
UNLESS OTHERWISE SPECIFIED TOLERANCES		PLATING & COLOR	
DECIMALS:		ANGLES:	
X	:±0.5	X	:±2°
X.X	:±0.3	X.X	:±1°
X.XX	:±0.2	X.XX	
TITLE		SINGATRON ENTERPRISE CO., LTD.	
CIRCULAR MIDDLE SIZE		信亨企業股份有限公司	
FEMALE CONN.CABLE TO MALE CONN.			
DWN	Harlen	PART NO.:	2QM3036-W05302H
CHKD	JF	SCALE 1:1	UNIT: mm
APVD	Steve	SIZE: A3	SHEET: 1 OF 1
CUSTOMER COPY		REV: A	