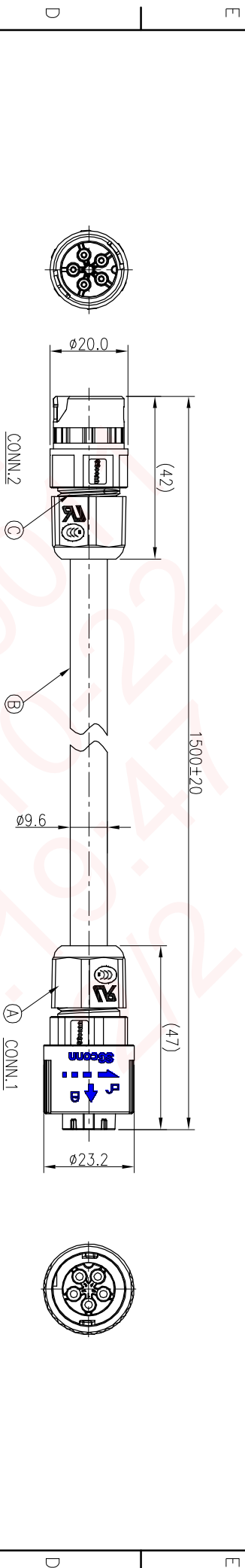
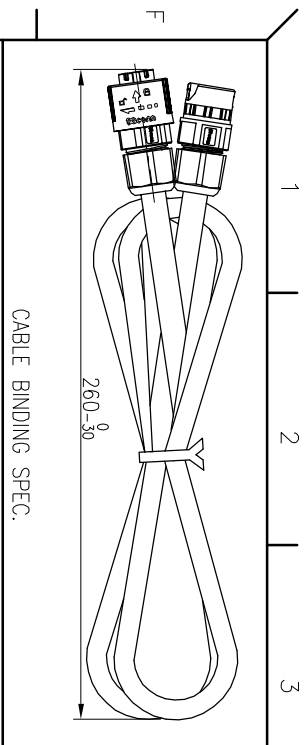
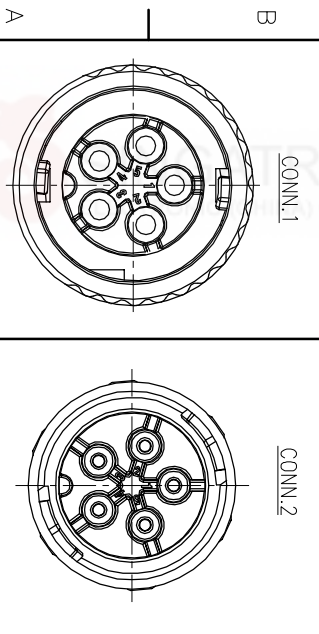


REV	ECN NO	OR DESCRIPTION	REVISED	DATE
A	PDR NO.:S150730-16A	Blues	2015.1016	



5	L	BLACK	5	L
4	-	BLUE	4	-
3	+	RED	3	+
2	N	WHITE	2	N
1	⊕	GREEN	1	⊕
CONN.1		WIRE COLOR	CONN.2	
		PIN OUT		

- NOTES:
- ELECTRICAL CHARACTERISTICS:
 - CURRENT RATING: 6 AMPS.
 - CONTACT RESISTANCE: 100 mΩmax.(INCLUDED CABLE'S RESISTANCE).
 - INSULATION RESISTANCE: 100 MΩhm Min. at 500VDC.
 - BREAKDOWN VOLTAGE: 500 VAC PER MINUTE.
 - ENVIRONMENTAL:
 - OPERATING TEMPERATURE: -20°C TO +80°C.
 - SEALING REQUIREMENTS: N/A.
 - LIFE TEST: 1,000 CYCLES MIN.
 - OTHER GENERAL SPEC. TO REFER"QUICK SERIES GENERAL SPEC"
 - FOR TECHNICAL DATA REFER TO YOUR LOCAL SINGATRON ELECTRONICS SALES OFFICE.
 - ALL DIMENSIONS ARE NOMINAL FOR REFERENCE ONLY UNLESS OTHERWISE STATED.
 - TO CONFORM TO SINGATRON HAZARDOUS SUBSTANCE FREE SPEC.
 - GREEN PRODUCT IDENTIFICATION LABEL ON PACKAGING:



C	B	A	NO	DESCRIPTION	QTY	MATERIAL	PLATING & COLOR
C	20M3037-W05301H	1	MALE CONN.	1	MALE CONN.	GRAY(PANTONG 427C)	
B	CABLE	1	SJT 5C*18AWG	1	FEMALE 5 PIN(6A)	GRAY(PANTONG 427C)	
A	20M3036-W05301H	1	FEMALE CONN.	1	FEMALE CONN.	GRAY(PANTONG 427C)	
			MALE 5 PIN(6A)		MALE 5 PIN(6A)		

UNLESS OTHERWISE SPECIFIED TOLERANCES

DECIMALS:	ANGLES:
X :±0.5	X :±2°
X.X :±0.3	X.X :±1°
X.XX :±0.2	

TITLE CIRCULAR MIDDLE SIZE FEMALE CONN.CABLE TO MALE CONN.

Singatron Enterprise Co., Ltd.
信亨企業股份有限公司

PART NO.20M3036-W05308H

DMN Blues
CHKD Harlen
APVD Steve

SCALE 1:1
UNIT: mm
SIZE: A3
SHEET: 1 OF 1
REV: A

CUSTOMER COPY