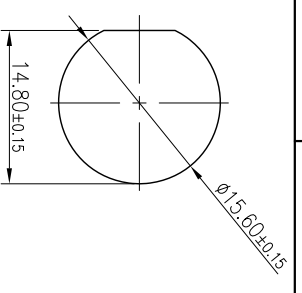
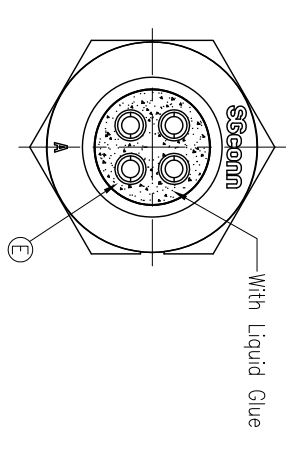
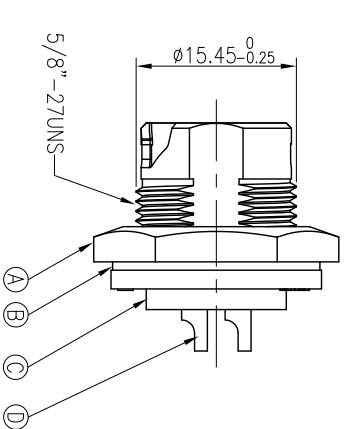
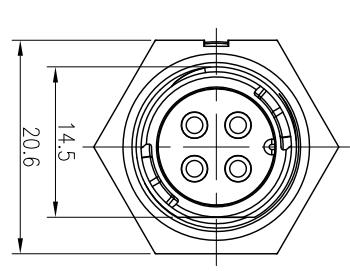
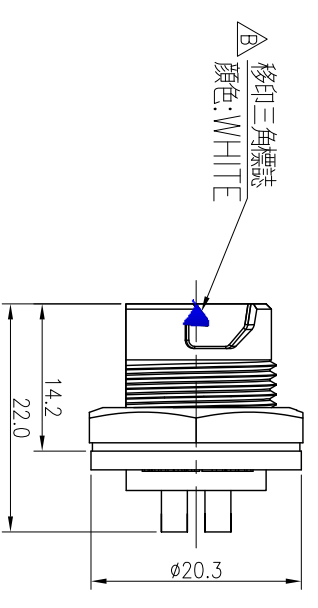


REV.	ECN NO.	OR DESCRIPTION	REVISED	DATE
A	PDR NO.:S131028-6C	Harlen	2014.04.07	
B	ECN NO.:S150367-R	Blues	2015.03.31	



RECOMMENDED PANEL CUT-OUT



- NOTES:
- ELECTRICAL CHARACTERISTICS:
    - 1-1 CURRENT RATING: 10A.
    - 1-2 CONTACT RESISTANCE: 30 mΩ Max.
    - 1-3 INSULATION RESISTANCE: 100 MΩ Min at 500VDC.
    - 1-4 BREAKDOWN VOLTAGE: 1000 VAC PER MINUTE
  - MECHANICAL CHARACTERISTICS:
    - 2-1 TIGHTENING TORQUES: 0.8~1.0Nm(7.08~8.85lbf.in.).
  - ENVIRONMENTAL:
    - 3-1 OPERATING TEMPERATURE: -40°C TO +105°C.
    - 3-2 SEALING REQUIREMENTS: IP67.
  - LIFE TEST: 1,000 CYCLES MIN.
  - FOR PANEL THICKNESS MAX OF 4.0mm
  - OTHER GENERAL SPEC TO REFER "QUICK SERIES GENERAL SPEC".
  - FOR TECHNICAL DATA REFER TO YOUR LOCAL SINGATRON ELECTRONICS SALES OFFICE.
  - ALL DIMENSIONS ARE NOMINAL FOR REFERENCE ONLY UNLESS OTHERWISE STATED.
  - TO CONFORM TO SINGATRON HAZARDOUS SUBSTANCE FREE SPEC.
  - GREEN PRODUCT IDENTIFICATION LABEL ON PACKAGING. GR. PASS

E	LIQUID GLUE	1	N/A	BLACK
D	MALE PIN	*	BRASS	1~3u" GOLD PLATING OVER NICKEL PLATING
C	BODY	1	PA66	BLACK
B	GASKET	1	SILICONE	BLACK
A	NUT	1	PA66	BLACK
NO	DESCRIPTION	QTY	MATERIAL	PLATING & COLOR

UNLESS OTHERWISE SPECIFIED TOLERANCES

DECIMALS:	ANGLES:
X :±0.5	X :±2°
X.X :±0.3	X.X :±1°
X.XX :±0.2	

TITLE	QUICK SERIES STANDARD SIZE (SOLDER TYPE)
DWN	Blues
CHKD	Harlen
APVD	STEVE
PART NO. 2QT3002-W04400H	
SCALE 2:1 UNIT: mm	
SIZE: A3 SHEET: 1 OF 1 REV: B	

CUSTOMER COPY

Singatron Enterprise Co., Ltd.  
信晉企業股份有限公司