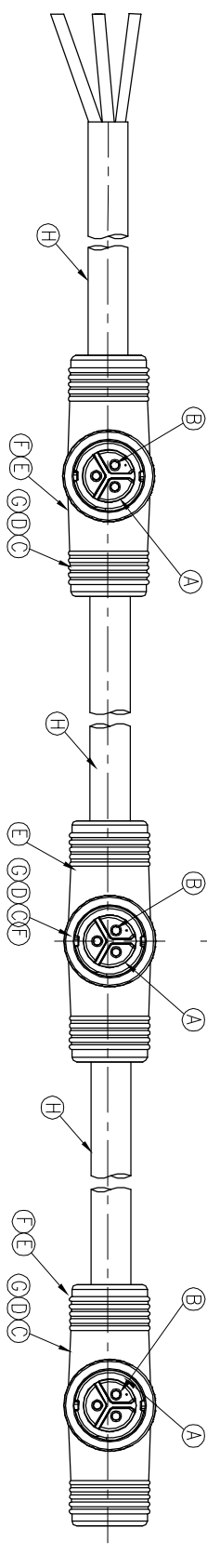
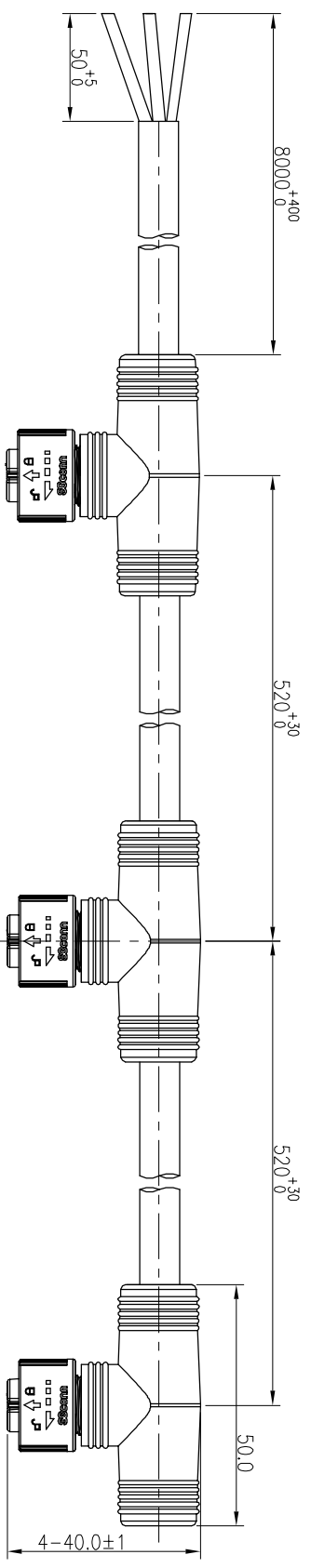
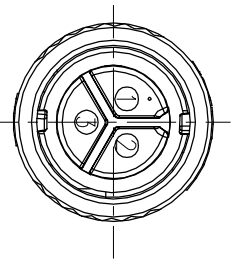


REV.	ECN NO OR DESCRIPTION	REVISED	DATE
A	PDR NO.:A180810-2B	Vicky	2018.08.13



YELLOW/GREEN	3
BLUE	2
BROWN	1
WIRE COLOR	CONN.1~3
PIN OUT	
CONN.1~7.	



Pin Assignments  
Front View

- NOTES:
1. WATERPROOF RATE: IP67
  2. ELECTRICAL CHARACTERISTICS  
RATING: 10 AMPS 300V
  3. OPERATING TEMPERATURE: -20°C TO +80°C.
  4. SPECIFICATIONS:SEE "QUICK SERIES SPECIFICATIONS".
  5. TO CONFORM TO SINGATRON HAZARDOUS SUBSTANCE FREE SPEC.
  6. GREEN PRODUCT IDENTIFICATION LABEL ON PACKAGING:

H	CABLE	1	ZA-RVV 3*1.0 <sup>2</sup> Ø7.1mm <sup>2</sup>	BLACK
G	SPRING	3	SUS	N/A
F	INNER MOLD	3	TPU	NATURAL
E	OVER MOLD	3	TPU	BLACK
D	O-RING	3	SILICONE	BLUE
C	LOCK NUT	3	PC	GREY
B	FEMALE PIN	9	Phosphor Bronze CS441	GOLD PLATING OVER NICKEL PLATING
A	FEMALE BODY	3	PA66+GF	BLACK
UNLESS OTHERWISE SPECIFIED TOLERANCES		QTY	MATERIAL	PLATING & COLOR
DECIMALS:		SINGATRON Enterprise Co., Ltd. 信亨企業股份有限公司		
ANGLES:		CIRCULAR SERIES QUICK TYPE STANDARD SIZE(IP67) FEMALE CONN. FEMALE 3PIN (10A)		
X.X	:±0.5	X	:±2°	TITLE
X.X	:±0.3	X.X	:±1°	DWN
X.XX	:±0.2			CHKD
				APVD
		PART NO. 2QT3004-W03424H		
		SCALE 1:1 UNIT: mm		
		SIZE: A3 SHEET: 1 OF 1 REV: A		
CUSTOMER COPY				