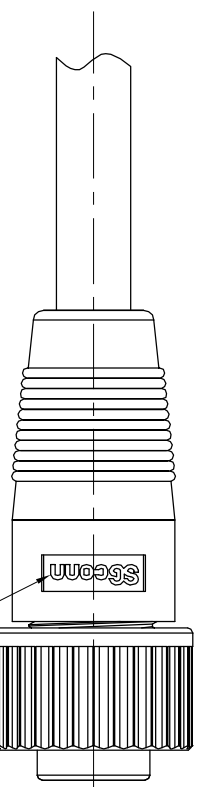
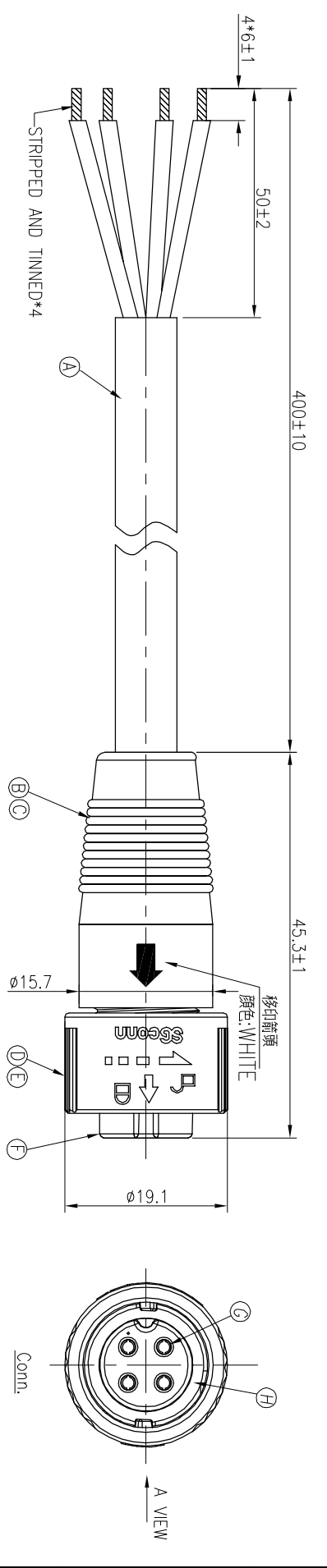
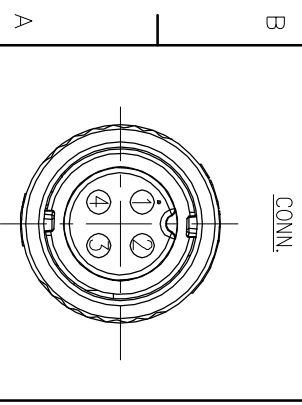


REV.	ECN NO.	OR DESCRIPTION	REVISED	DATE
A	PDR NO.:	S:161207-2B	Vcky	2016.12.07

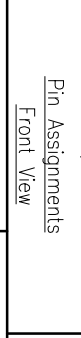


NO	DESCRIPTION	QTY	MATERIAL	PLATING & COLOR
H	0-RING	1	SILICONE	BLUE
G	FEMALE PIN	4	Phosphor Bronze	1~3u" GOLD PLATING OVER NICKEL PLATING
F	BODY	1	PA66	BLACK
E	SPRING	1	SUS	N/A
D	LOCK NUT	1	PC	GREY
C	INNER MOLD	1	TPU	NATURAL
B	OVER MOLD	1	TPU	BLACK
A	CABLE	1	4*0.5mm ² OD=7.2mm	BLACK

WIRE COLOR	CONN.
Yellow/Green	4
Black	3
Blue	2
Brown	1



- NOTES:
1. WATERPROOF RATE: IP67
 2. SPECIFICATIONS: SEE "QUICK SERIES GENERAL SPEC".
 3. TO CONFORM TO SINGATRON HAZARDOUS SUBSTANCE FREE SPEC.
 4. GREEN PRODUCT IDENTIFICATION LABEL ON PACKAGING:



NO	DESCRIPTION	QTY	MATERIAL	PLATING & COLOR
UNLESS OTHERWISE SPECIFIED TOLERANCES				
Singatron Enterprise Co., Ltd. 信譽企業股份有限公司				
TITLE: CIRCULAR SERIES QUICK TYPE STANDARD SIZE FEMALE CONN. FEMALE 4PIN (180°)				
DECIMALS:	ANGLES:			
X : ±0.5	X : ±2°			
X.X : ±0.3	X.X : ±1°			
X.XX : ±0.2				
APVD	Steve	SIZE: A3	SHEET: 1 OF 1	REV: A

CUSTOMER COPY