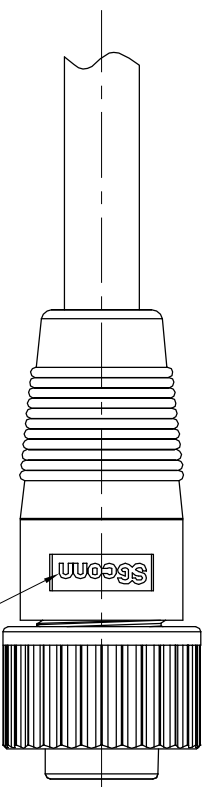
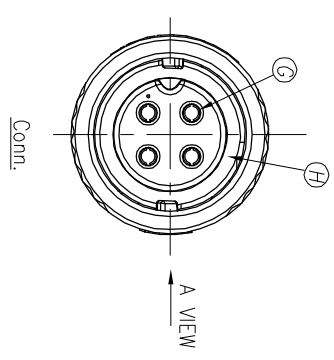
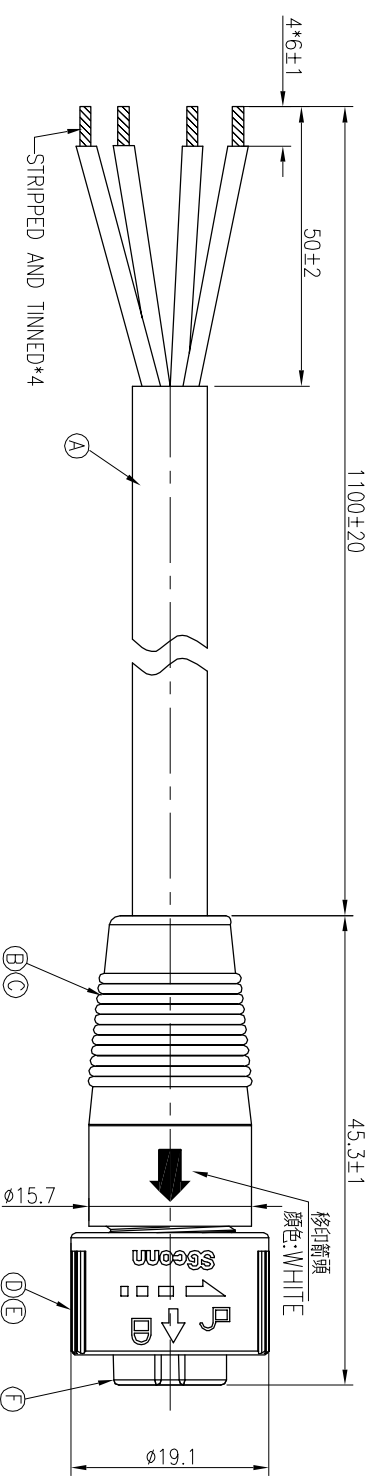
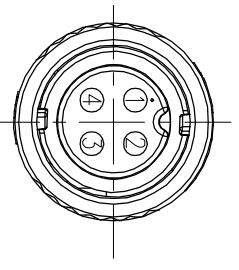


REV.	ECN NO.	OR DESCRIPTION	REVISED	DATE
A	PDR NO.:	S161207-2C	Vicky	2016.12.07



Yellow/Green	4
Black	3
Blue	2
Brown	1
WIRE COLOR	CONN.
PIN OUT	
CONN.	



NOTES:

1. WATERPROOF RATE: IP67
2. SPECIFICATIONS: SEE "QUICK SERIES GENERAL SPEC".
3. TO CONFORM TO SINGATRON HAZARDOUS SUBSTANCE FREE SPEC.
4. GREEN PRODUCT IDENTIFICATION LABEL ON PACKAGING:

NO	DESCRIPTION	QTY	MATERIAL	PLATING & COLOR
H	0-RING	1	SILICONE	BLUE
G	FEMALE PIN	4	Phosphor Bronze	1~3u" GOLD PLATING OVER NICKEL PLATING
F	BODY	1	PA66	BLACK
E	SPRING	1	SUS	N/A
D	LOCK NUT	1	PC	GREY
C	INNER MOLD	1	TPU	NATURAL
B	OVER MOLD	1	TPU	BLACK
A	CABLE	1	4*0.5mm <sup>2</sup> OD=7.2mm	BLACK

UNLESS OTHERWISE SPECIFIED TOLERANCES

LOGO "Sgconn"

DECIMALS:	ANGLES:
X :±0.5	X :±2
X.X :±0.3	X.X :±1°
X.XX :±0.2	

Singatron Enterprise Co., Ltd.  
信譽企業股份有限公司

CIRCULAR SERIES QUICK TYPE STANDARD SIZE  
FEMALE CONN. FEMALE 4PIN (180°)

DWN Vicky PART NO. 2QT3004-W04434H  
CHKD Harlen SCALE 2:1 UNIT: mm  
APVD Steve SIZE: A3 SHEET: 1 OF 1 REV: A

CUSTOMER COPY