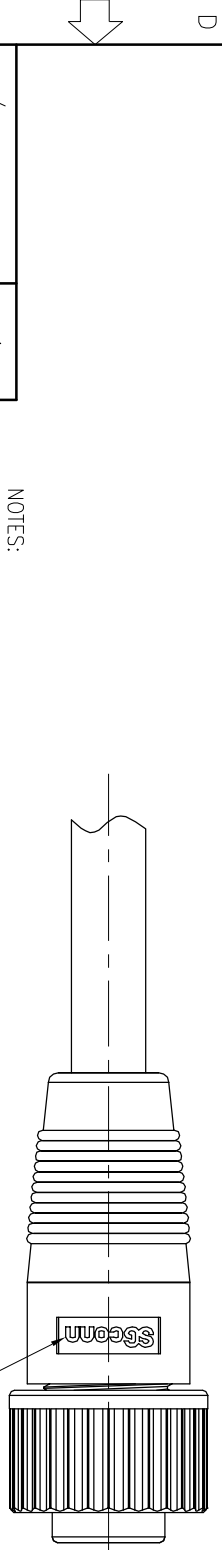
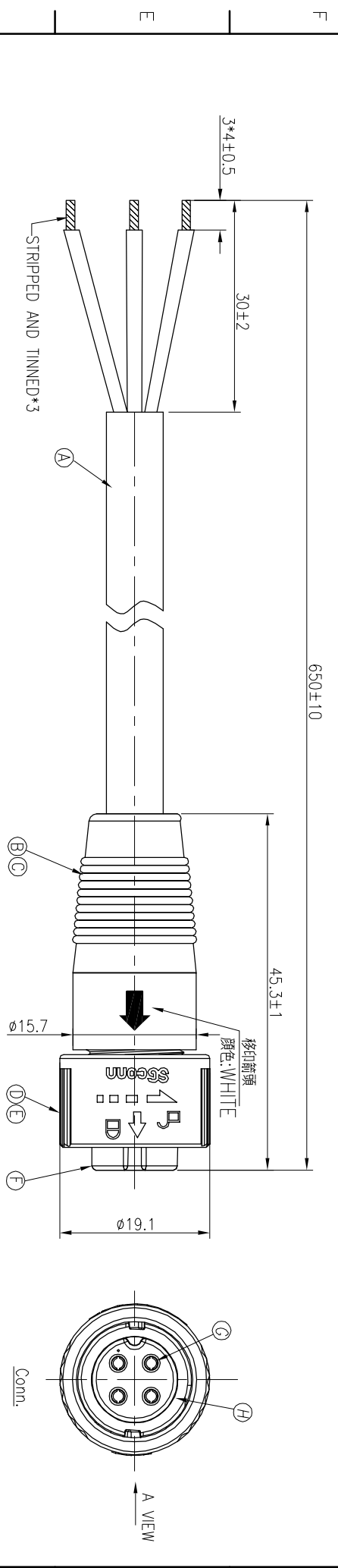
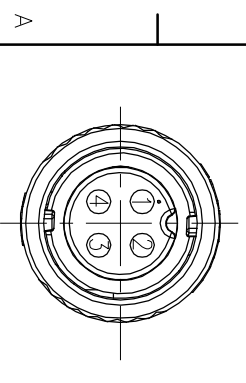


REV.	ECN NO.	OR DESCRIPTION	REVISED	DATE
A	PDR NO.:S170419-3B	Vicky	2017.04.19	



	4
/	4
ORANGE	3
BLACK	2
WHITE	1
WIRE COLOR	CONN.

PIN OUT
CONN.



- NOTES:
- ELECTRICAL CHARACTERISTICS:
 - 1-1 CURRENT RATING: 10 AMPS.
 - 1-2 CONTACT RESISTANCE: 5mOhm Max.
 - 1-3 INSULATION RESISTANCE: 100 MOhm Min. at 500VDC.
 - 1-4 BREAKDOWN VOLTAGE: 1000VAC PER MINUTE.
 - ENVIRONMENTAL:
 - 2-1 OPERATING TEMPERATURE: -40°C TO +105°C.
 - 2-2 SEALING REQUIREMENTS: IP67.
 - OTHER GENERAL SPEC TO REFER"QUICK SERIES GENERAL SPEC".
 - FOR TECHNICAL DATA REFER TO YOUR LOCAL SINGATRON ELECTRONICS SALES OFFICE.
 - ALL DIMENSIONS ARE NOMINAL FOR REFERENCE ONLY UNLESS OTHERWISE STATED.
 - TO CONFORM TO SINGATRON HAZARDOUS SUBSTANCE FREE SPEC.
 - GREEN PRODUCT IDENTIFICATION LABEL ON PACKAGING: [\(LINK\)](#)
 - 使用線纜型號及編碼: 華仁 阻燃等級C級 (內芯線和外護套) 使用溫度-35°C-105°C符合ROHS標準 線纜內型: 2517, 外皮PVC內芯交聯聚乙烯 (XLPE) 3*0.5mm² 內芯顏色 白 橙 黑, 黑色護套外徑5.8±0.25mm (編碼: 5.13.44.0.027)

H	0-RING	1	SILICONE	BLUE
G	FEMALE PIN	4	Phosphor Bronze	1~3u" GOLD PLATING OVER NICKEL PLATING
F	BODY	1	PA66+25%GF	BLACK
E	SPRING	1	SUS	N/A
D	LOCK NIJ	1	PC	GREY
C	INNER MOLD	1	TPU	NATURAL
B	OVER MOLD	1	TPU	BLACK
A	CABLE	1	2517 3*0.5mm ² OD:5.8mm	BLACK PVC JACKET
NO	DESCRIPTION	QTY	MATERIAL	PLATING & COLOR

UNLESS OTHERWISE SPECIFIED TOLERANCES

DECIMALS:	ANGLES:
X :±0.5	X :±2°
X.X :±0.3	X.X :±1°
X.XX :±0.2	

Singatron Enterprise Co., Ltd.
信登企業股份有限公司

CIRCULAR SERIES QUICK TYPE STANDARD SIZE
FEMALE CONN. FEMALE 4PIN (180°)

CHKD	APVD	SIZE	SHEET: 1 OF 1	REV: A
Vicky	Steve	A3		

CUSTOMER COPY