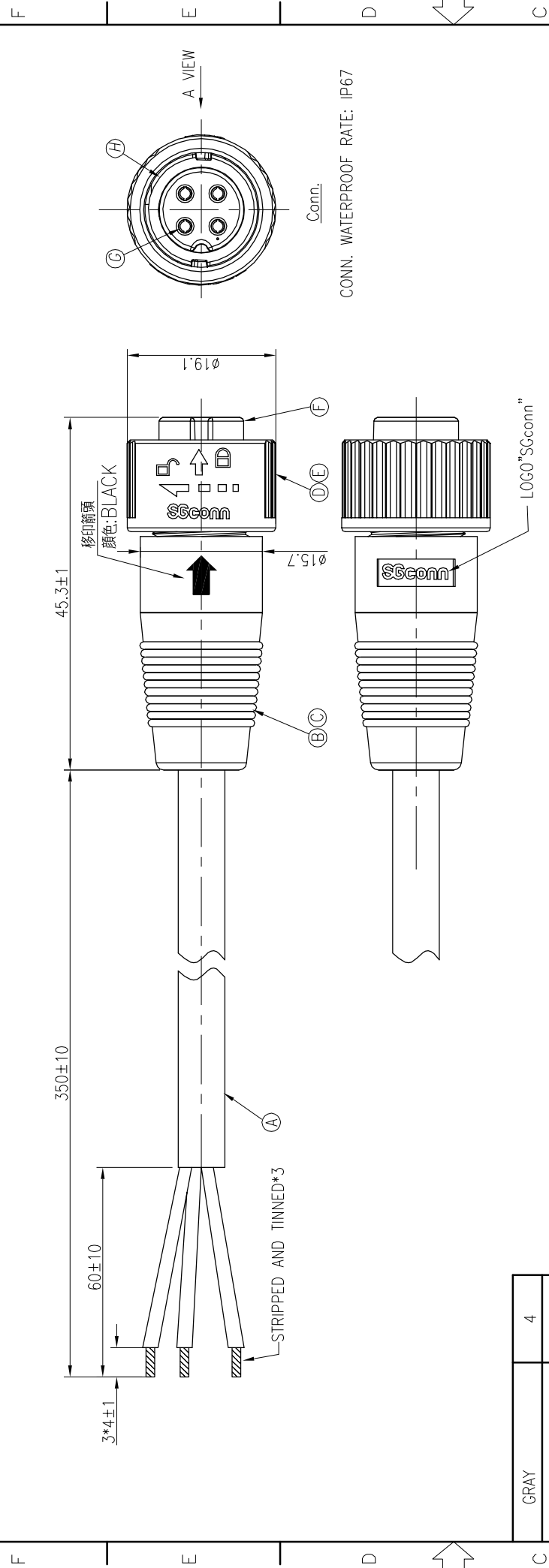


REV.	ECN NO OR DESCRIPTION	REVISED	DATE
A	PDR NO.:A200415-2A	Vicky	2020.09.01

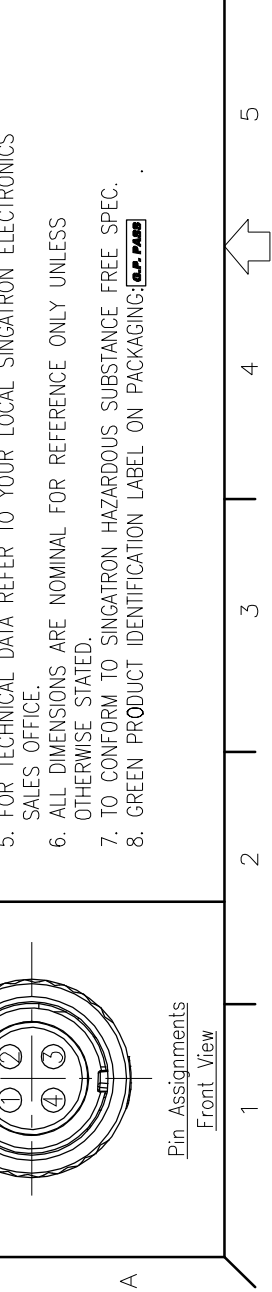


CONN. WATERPROOF RATE: IP67

H	O-RING	1	SILICONE	BLUE
G	FEMALE PIN	4	Phosphor Bronze	1~3μ" GOLD PLATING OVER NICKEL PLATING
F	BODY	1	PA66	WHITE
E	SPRING	1	SUS	N/A
D	LOCK NUT	1	PC	GREY
C	INNER MOLD	1	TPU	NATURAL
B	OVER MOLD	1	TPU	WHITE
A	CABLE	1	H05RN-F 3*0.75mm ² OD:6.8mm	WHITE
NO	DESCRIPTION	QTY	MATERIAL	PLATING & COLOR

UNLESS OTHERWISE SPECIFIED TOLERANCES		Suzhou Singatron Auto Electronics CO.,LTD. 蘇州信音汽車電子有限公司	
DECIMALS:	ANGLES:	TITLE	CIRCULAR SERIES QUICK TYPE STANDARD SIZE
X :±0.5	X :±2°	DMN	FEMALE CONN. FEMALE 4PIN (180°IP67)
X.X :±0.3	X.X :±1°	CHKD	Vicky
X.XX :±0.2	X.XX :±0.2	APVD	William
		PART NO.	2QT3004-W04443H
		SCALE	2:1
		UNIT	mm
		SIZE	A4
		SHEET	1 OF 1
		REV	A
CUSTOMER COPY			

GRAY	4	Short
BLACK	3	
BROWN	2	
WIRE COLOR	1	CONN.
PIN OUT		
CONN.		



NOTES:

- ELECTRICAL CHARACTERISTICS:
 - CURRENT RATING: 10 AMPS.
 - CONTACT RESISTANCE: 3 Ohm Max.
 - INSULATION RESISTANCE: 100 MOhm Min. at 500VDC.
 - BREAKDOWN VOLTAGE: 1000VAC PER MINUTE.
- ENVIRONMENTAL:
 - OPERATING TEMPERATURE: -40°C TO +105°C.
 - SEALING REQUIREMENTS: IP67.
- LIFE TEST: 1,000 CYCLES MIN.
- OTHER GENERAL SPEC TO REFER TO YOUR LOCAL SINGATRON ELECTRONICS SALES OFFICE.
- FOR TECHNICAL DATA REFER TO YOUR LOCAL SINGATRON ELECTRONICS SALES OFFICE.
- ALL DIMENSIONS ARE NOMINAL FOR REFERENCE ONLY UNLESS OTHERWISE STATED.
- TO CONFORM TO SINGATRON HAZARDOUS SUBSTANCE FREE SPEC.
- GREEN PRODUCT IDENTIFICATION LABEL ON PACKAGING: **RoHS PAHS**



7

7

6

6

5

5

4

4

3

3

2

2

1

1

F

E

D

C

B

A