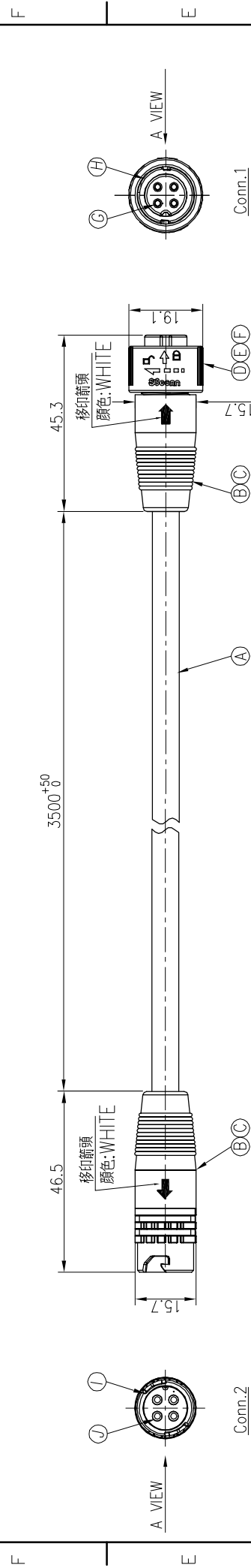


| | | | |
|------|-----------------------|---------|------------|
| REV. | ECN NO OR DESCRIPTION | REVISED | DATE |
| A | PDR NO.:A211214-1D | JAY | 2022.01.14 |



WATERPROOF RATE: IP67

WATERPROOF RATE: IP67

| | | | | |
|----|-------------|-----|------------------------------|---|
| J | MALE PIN | 4 | Phosphor Bronze | 1~3u" GOLD PLATING OVER NICKEL PLATING |
| I | BODY | 1 | PA66+25%GF(A63V0) | BLACK |
| H | BODY | 1 | PA66+25%GF(A63V0) | BLACK |
| G | FEMALE PIN | 4 | Phosphor Bronze | 1~3u" GOLD PLATING OVER NICKEL PLATING |
| F | O-RING | 1 | SILICONE | BLUE |
| E | SPRING | 1 | SUS | N/A |
| D | LOCK NUT | 1 | PC | GRAY |
| C | INNER MOLD | 2 | TPU | BLACK |
| B | OVER MOLD | 2 | TPU | BLACK |
| A | CABLE | 1 | H05RN-F 3*0.75 OD6.8mm 客供 | BLACK |
| NO | DESCRIPTION | QTY | MATERIAL | PLATING & COLOR |

| | | | | |
|---------------------------------------|-----------|--|--|--|
| UNLESS OTHERWISE SPECIFIED TOLERANCES | | | | |
| DECIMALS: | ANGLES: | | | |
| X : ±0.5 | X : ±2° | | | |
| X.X : ±0.3 | X.X : ±1° | | | |
| X.XX : ±0.2 | | | | |

| | | | | |
|--|-------------------------|--------|-----|--------------|
| Suzhou Singatron Auto Electronics CO.,LTD. 蘇州信音汽車電子有限公司 | | | | |
| CIRCULAR SERIES QUICK TYPE STANDARD SIZE FEMALE CONN. FEMALE 4PIN AND MALE CONN.MALE 4PIN(10A) | | | | |
| TITLE | PART NO.2QT3004-W04453H | | | |
| DWN | JAY | SCALE | 1:1 | UNIT: mm |
| CHKD | MF | SIZE | A3 | SHEET:1 OF 1 |
| APVD | JF | REV: A | | |

| | | | | |
|---------------|--|--|--|--|
| CUSTOMER COPY | | | | |
| 8 | | | | |

| | | | | |
|-----------------|--------------|--------|--|--|
| PIN ASSIGNMENTS | | | | |
| Front View | | | | |
| CONN1. | | CONN2. | | |
| 4 | YELLOW&GREEN | 4 | | |
| 3 | BLUE | 3 | | |
| 2 | | 2 | | |
| 1 | BROWN | 1 | | |
| CONN1. | | CONN2. | | |
| PIN OUT | | | | |
| CONN1. | | CONN2. | | |

NOTES:

- ELECTRICAL CHARACTERISTICS:
1-1 CURRENT RATING: 10 AMPS.
1-2 CONTACT RESISTANCE: 3 Ohm Max.
1-3 INSULATION RESISTANCE: 100 MOhm Min. at 500VDC.
- ENVIRONMENTAL:
2-1 OPERATING TEMPERATURE: -30C TO +70C.
2-2 SEALING REQUIREMENTS: IP67.
- OTHER GENERAL SPEC TO REFER"QUICK SERIES GENERAL SPEC".
- TO CONFORM TO SINGATRON HAZARDOUS SUBSTANCE FREE SPEC.
- GREEN PRODUCT IDENTIFICATION LABEL ON PACKAGING: **SGconn**