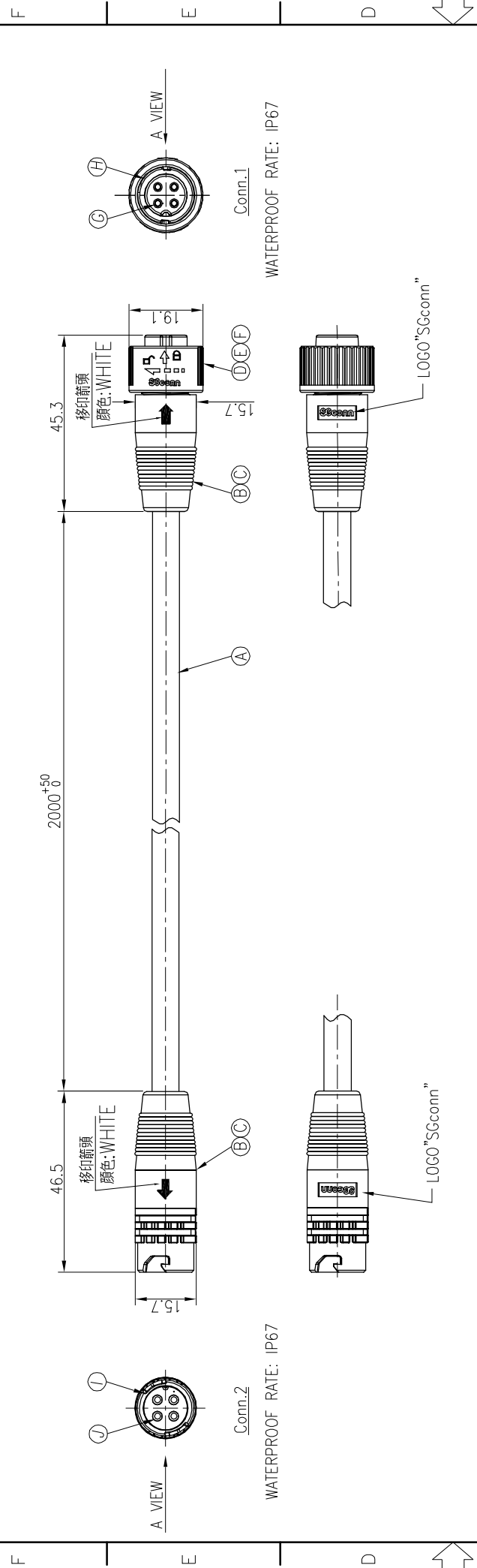


|      |                       |         |            |
|------|-----------------------|---------|------------|
| REV. | ECN NO OR DESCRIPTION | REVISED | DATE       |
| A    | PDR NO.:A211214-1C    | JAY     | 2022.01.14 |



|  |                         |       |                              |   |
|--|-------------------------|-------|------------------------------|---|
| J  | MALE PIN                | 4     | Phosphor Bronze              | 1~3u" GOLD PLATING<br>OVER NICKEL PLATING |
| I  | BODY                    | 1     | PA66+25%GF(A63V0)            | BLACK                                     |
| H  | BODY                    | 1     | PA66+25%GF(A63V0)            | BLACK                                     |
| G  | FEMALE PIN              | 4     | Phosphor Bronze              | 1~3u" GOLD PLATING<br>OVER NICKEL PLATING |
| F  | O-RING                  | 1     | SILICONE                     | BLUE                                      |
| E  | SPRING                  | 1     | SUS                          | N/A                                       |
| D  | LOCK NUT                | 1     | PC                           | GRAY                                      |
| C  | INNER MOLD              | 2     | TPU                          | BLACK                                     |
| B  | OVER MOLD               | 2     | TPU                          | BLACK                                     |
| A  | CABLE                   | 1     | H05RN-F 3*0.75<br>OD6.8mm 客供 | BLACK                                     |
| NO   | DESCRIPTION             | QTY   | MATERIAL                     | PLATING & COLOR                           |
| UNLESS OTHERWISE SPECIFIED TOLERANCES  |                         |       |                              |   |
| Suzhou Singatron Auto Electronics CO.,LTD.<br>蘇州信音汽車電子有限公司                                     |                         |       |                              |   |
| CIRCULAR SERIES QUICK TYPE STANDARD SIZE FEMALE CONN. FEMALE 4PIN AND MALE CONN.MALE 4PIN(10A) |                         |       |                              |   |
| TITLE  | PART NO.2QT3004-W04454H |       |                              |   |
| DWN  | JAY                     | SCALE | 1:1                          | UNIT: mm                                  |
| CHKD   | MF                      | SIZE  | A3                           | SHEET:1 OF 1                              |
| APVD   | JF                      | REV   | A                            | CUSTOMER COPY                             |

|            |          |
|------------|----------|
| DECIMALS:  | ANGLES:  |
| X :±0.5    | X :±2°   |
| X.X :±0.3  | X.X :±1° |
| X.XX :±0.2 |          |

|                               |              |        |  |
|-------------------------------|--------------|--------|--|
| 4                             | YELLOW&GREEN | 4      |  |
| 3                             | BLUE         | 3      |  |
| 2                             |              | 2      |  |
| 1                             | BROWN        | 1      |  |
| CONN1.                        | WIRE COLOR   | CONN2. |  |
| PIN OUT                       |              |        |  |
| CONN1.                        |              |        |  |
| CONN2.                        |              |        |  |
| Pin Assignments<br>Front View |              |        |  |

- NOTES:
- ELECTRICAL CHARACTERISTICS:  
1-1 CURRENT RATING: 10 AMPS.  
1-2 CONTACT RESISTANCE: 3 Ohm Max.  
1-3 INSULATION RESISTANCE: 100 MOhm Min. at 500VDC.
  - ENVIRONMENTAL:  
2-1 OPERATING TEMPERATURE: -30C TO +70C.  
2-2 SEALING REQUIREMENTS: IP67.
  - OTHER GENERAL SPEC TO REFER"QUICK SERIES GENERAL SPEC".
  - TO CONFORM TO SINGATRON HAZARDOUS SUBSTANCE FREE SPEC.
  - GREEN PRODUCT IDENTIFICATION LABEL ON PACKAGING: **SGconn**