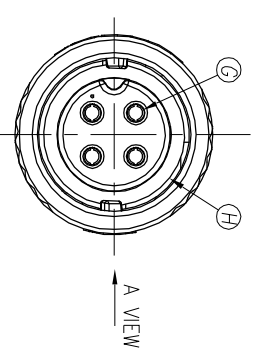
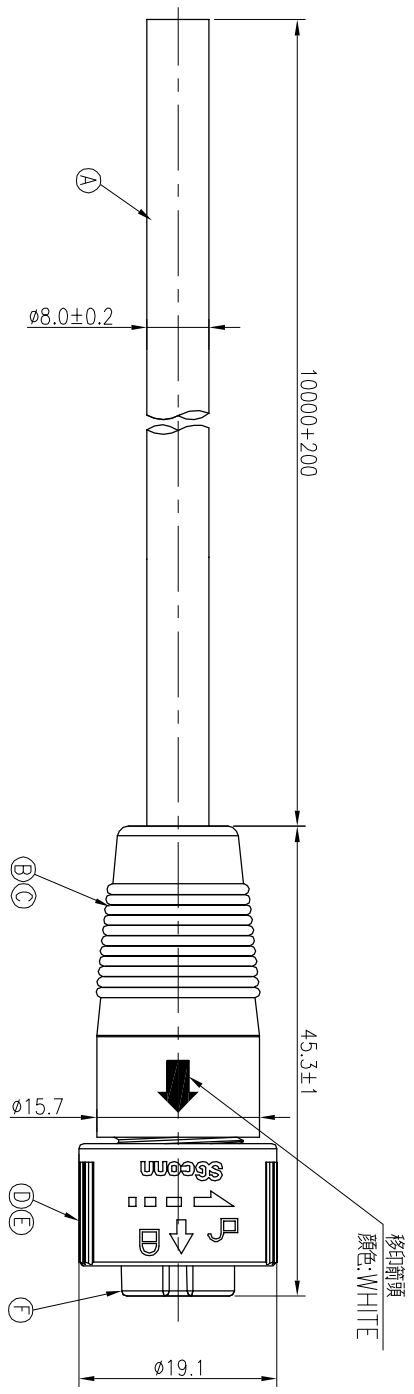
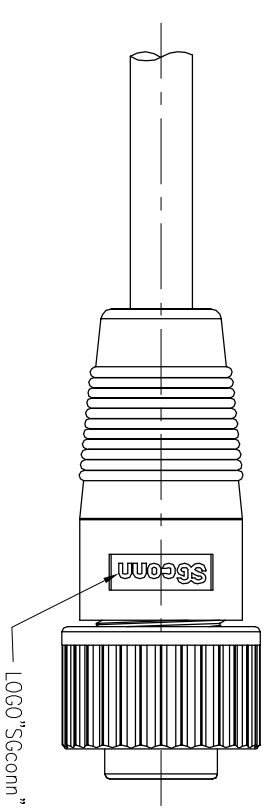


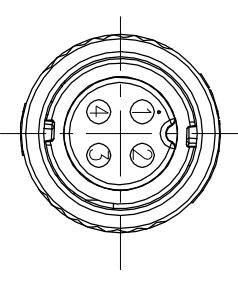
REV.	ECN NO.	OR DESCRIPTION	REVISED	DATE
A	PDR NO.:A220705-2A	Erod	2022.10.08	



CONN. WATERPROOF RATE: IP67



YELLOW	4
BLUE	3
BLACK	2
RED	1
WIRE COLOR	CONN.
PIN DEFINE	
CONN.	



Pin Assignments
Front View

- NOTES:
- CURRENT RATING: 10A
 - ENVIRONMENTAL:
 - 2-1 OPERATING TEMPERATURE: -20°C TO +80°C.
 - 2-2 SEALING REQUIREMENTS: IP67.
 - LIFE TEST: 1,000 CYCLES Min..
 - TO CONFORM TO SINGATRON HAZARDOUS SUBSTANCE FREE SPEC.
 - GREEN PRODUCT IDENTIFICATION LABEL ON PACKAGING: **GR-PASS**

NO	DESCRIPTION	QTY	MATERIAL	PLATING & COLOR
H	0-RING	1	SILICONE	BLUE
G	FEMALE PIN	4	Phosphor Bronze	1~3u" GOLD PLATING OVER NICKEL PLATING
F	BODY	1	PA66	BLACK
E	SPRING	1	SUS	N/A
D	LOCK NUT	1	PC	GREY
C	INNER MOLD	1	TPU	NATURAL
B	OVER MOLD	1	TPU	BLACK
A	CABLE(线#)	1	UL2733 18AWG*4C PVC	BLACK

UNLESS OTHERWISE SPECIFIED TOLERANCES

蘇州信達汽車電子有限公司
Suzhou Singatron Auto Electronics CO.,LTD.

TITLE: CIRCULAR SERIES QUICK TYPE STANDARD SIZE
FEMALE CONN. FEMALE 4PIN (180° IP67)

DWN: Erod PART NO. 2QT3004-W04456H
CHKD: Jun SCALE 2:1 UNIT: mm
APVD: Steve SIZE: A3 SHEET: 1 OF 1 REV: A

CUSTOMER COPY