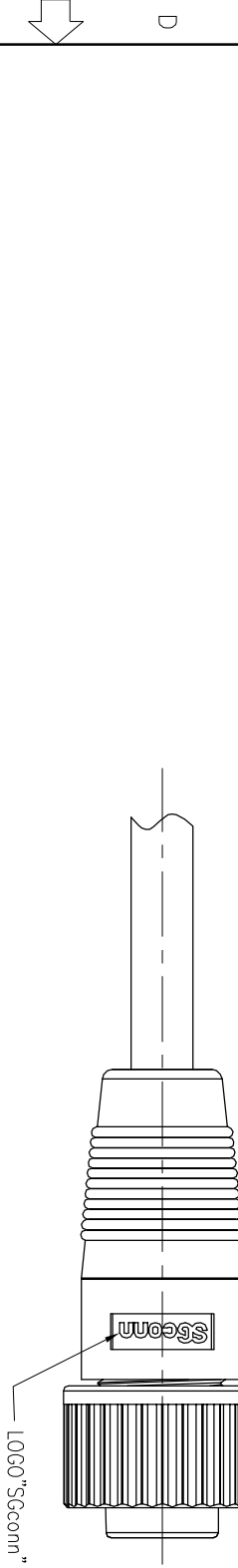
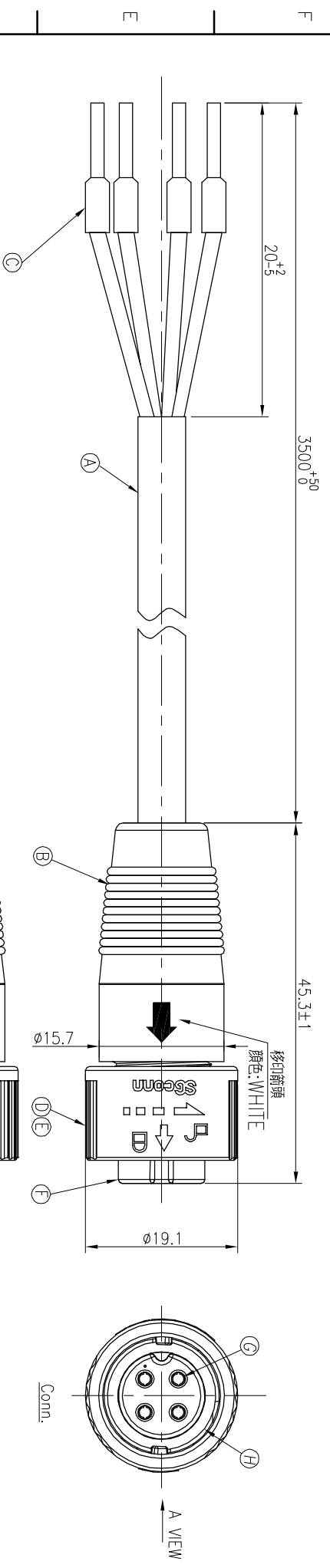
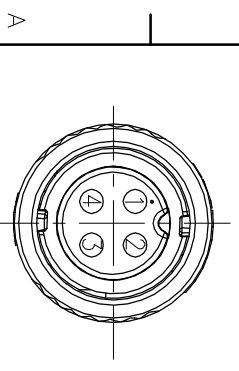


REV.	ECN NO OR DESCRIPTION	REVISED	DATE
A	PDR NO.:A220922-1B	Etröd	2023.07.20



YELLOW&GREEN	4	Short
BLUE	3	
BLACK	2	
BROWN	1	
WIRE COLOR	CONN.	
PIN DEFINE		
CONN.		



Pin Assignments
Front View

- NOTES:
- ELECTRICAL CHARACTERISTICS:
 - 1-1 CURRENT RATING: 10 AMPS.
 - 1-2 CONTACT RESISTANCE: 3 Ohm Max.
 - 1-3 INSULATION RESISTANCE: 100 MOhm Min. at 500VDC.
 - 1-4 BREAKDOWN VOLTAGE: 1000VAC PER MINUTE.
 - ENVIRONMENTAL:
 - 2-1 OPERATING TEMPERATURE: -40°C TO +60°C.
 - 2-2 SEALING REQUIREMENTS: IP67.
 - LIFE TEST: 1,000 CYCLES Min..
 - OTHER GENERAL SPEC TO REFER "QUICK SERIES GENERAL SPEC."
 - FOR TECHNICAL DATA REFER TO YOUR LOCAL SINGATRON ELECTRONICS SALES OFFICE.
 - ALL DIMENSIONS ARE NOMINAL FOR REFERENCE ONLY UNLESS OTHERWISE STATED.
 - TO CONFORM TO SINGATRON HAZARDOUS SUBSTANCE FREE SPEC.
 - GREEN PRODUCT IDENTIFICATION LABEL ON PACKAGING: **RoHS, PAHS**

NO	DESCRIPTION	QTY	MATERIAL	PLATING & COLOR
H	0-RING	1	SILICONE	BLUE
G	FEMALE PIN	4	PHOSPHOR BRONZE	GOLD PLATING
F	BODY	1	PA66	OVER NICKEL PLATING
E	SPRING	1	SUS	BLACK
D	LOCK NUT	1	PC	N/A
C	TERMINAL (零件)	4	BRASS 1mm ²	GREY
B	MOLDING	1	TPU	N/A
A	CABLE (零件)	1	H05RN-F 4*0.75mm ²	BLACK

UNLESS OTHERWISE SPECIFIED TOLERANCES			
DECIMALS:	ANGLES:		
X :±0.5	X :±2°		
X.X :±0.3	X.X :±1°		
X.XX :±0.2			

Suzhou Singatron Auto Electronics CO.,LTD.
 蘇州信益汽車電子有限公司
 SINGATRON
 CIRCULAR SERIES QUICK TYPE STANDARD SIZE
 FEMALE CONN. FEMALE 4PIN (180° IP67)
 PART NO.: **QJT3004-W0445BH**
 SCALE 2:1 UNIT: mm
 SHEET: 1 OF 1 REV: **A**
CUSTOMER COPY