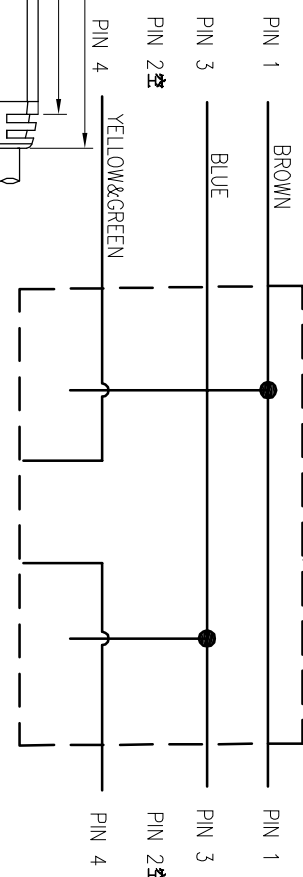
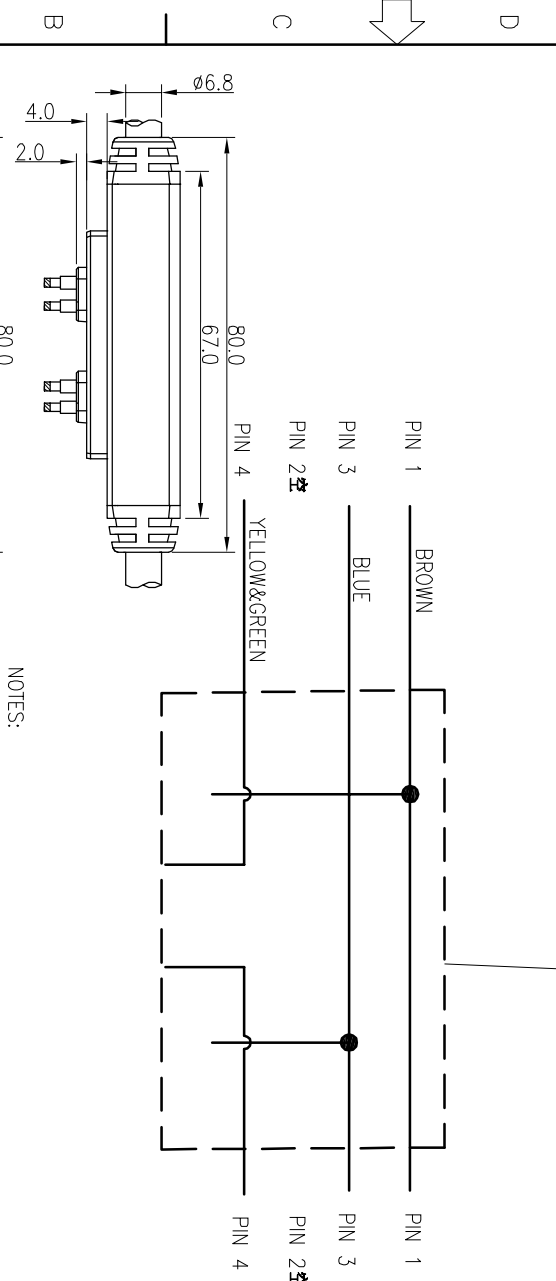
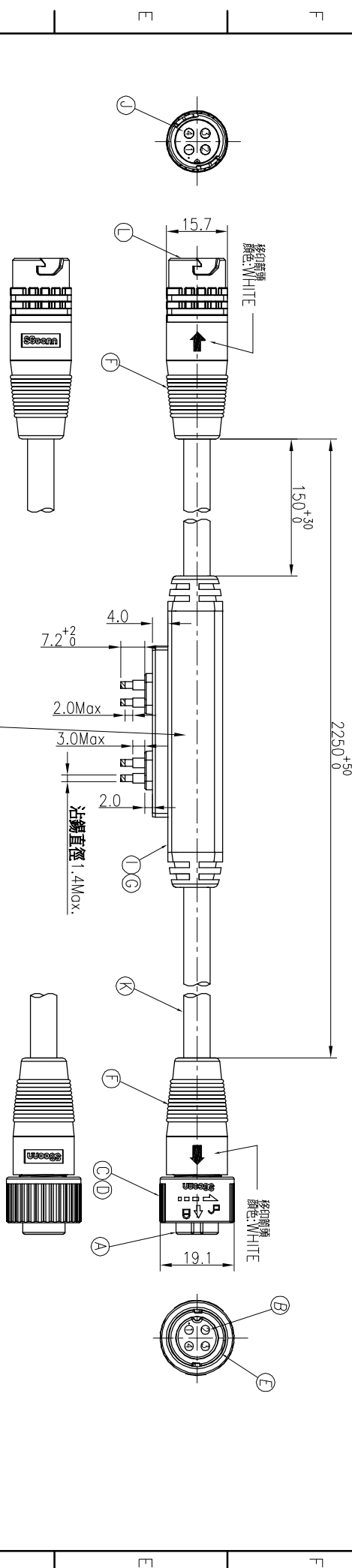
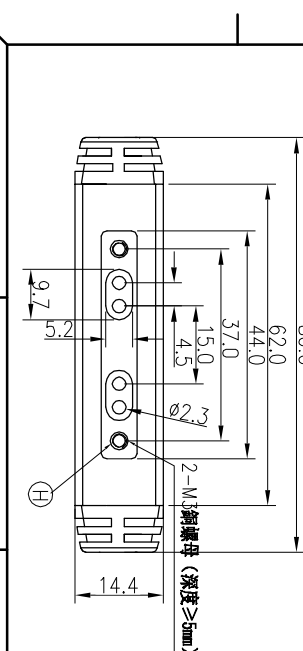


REV.	ECN NO OR DESCRIPTION	REVISED	DATE
A	PDR NO.:A220922-1A	Erod	2023.07.20



- NOTES:
- ELECTRICAL CHARACTERISTICS:
 - CURRENT RATING: 10 AMPS.
 - CONTACT RESISTANCE: 3 0m Max.
 - INSULATION RESISTANCE: 100 Mohm Min. at 500VDC.
 - ENVIRONMENTAL:
 - OPERATING TEMPERATURE: -20°C TO +70°C.
 - SEALING REQUIREMENTS: IP67.
 - OTHER GENERAL SPEC TO REFER"QUICK SERIES GENERAL SPEC";
 - CONFORM TO SINGATRON HAZARDOUS SUBSTANCE FREE SPEC.
 - GREEN PRODUCT IDENTIFICATION LABEL ON PACKAGING:



L	MALE BODY	1	PA66	BLACK
K	CABLE	1	H05RN-F 3*0.75 0D:6.8mm	BLACK
J	MALE PIN	4	BRASS	GOLD PLATING OVER NICKEL PLATING
I	MOLDING	1	PVC	BLACK
H	COPPER NUT	2	M3*4 鋼線母	BLACK
G	GLUE	1	EPOXY	N/A
F	MOLDING	2	TPU	BLACK
E	O-RING	1	SILICONE	MAUTURAL
D	SPRING	1	SUS	BLUE
C	LOCK NUT	1	PC	N/A
B	FEMALE PIN	4	Phosphor Bronze	(1~3)u" GOLD PLATING OVER NICKEL PLATING
A	BODY	1	PA66	BLACK
NO	DESCRIPTION	QTY	MATERIAL	PLATING & COLOR

UNLESS OTHERWISE SPECIFIED TOLERANCES

DECIMALS: ANGLES:

X :±0.5 X :±2°

X.X :±0.3 X.X :±1°

X.XX :±0.2 X.XX :±0.2

CUSTOMER COPY