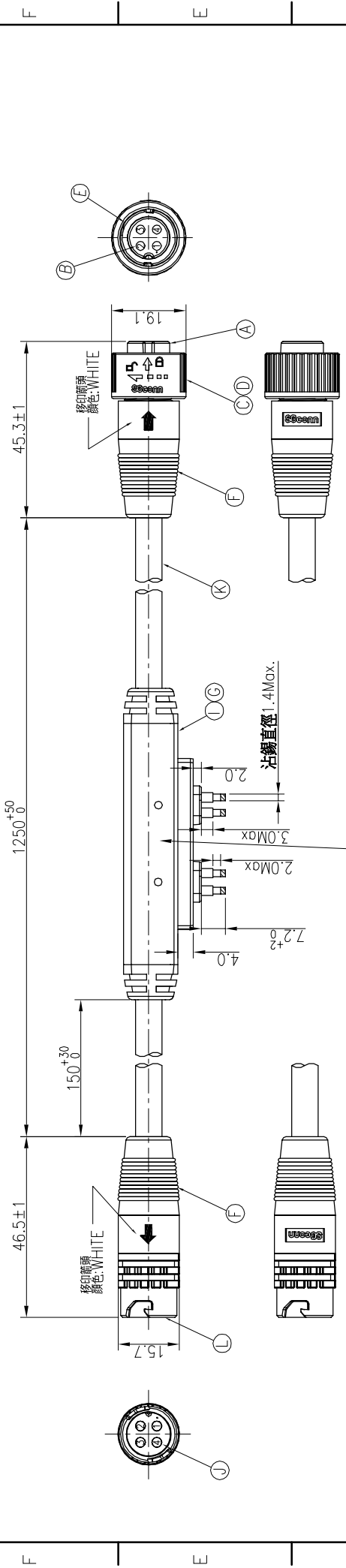


REV: ECN NO OR DESCRIPTION	REVISED	DATE
A PDR NO.:A221118-3D	Elrod	2023.08.15



L	MALE BODY	1	PA66	BLACK
K	CABLE	1	H05RN-F 3*0.75 OD:6.8mm	BLACK
J	MALE PIN	4	BRASS	GOLD PLATING OVER NICKEL PLATING
I	MOLDING	1	PVC	BLACK
H	COPPER NUT	2	M3*0.5銅螺母	BLACK
G	GLUE	1	EPOXY	N/A
F	MOLDING	2	TPU	NATURAL
E	O-RING	2	TPU	BLACK
D	SPRING	1	SUS	BLUE
C	LOCK NUT	1	PC	N/A
B	FEMALE PIN	4	PHOSPHOR BRONZE	(1~3)u" GOLD PLATING OVER NICKEL PLATING
A	BODY	1	PA66	BLACK

NO	DESCRIPTION	QTY	MATERIAL	PLATING & COLOR
UNLESS OTHERWISE SPECIFIED TOLERANCES				
DECIMALS: ANGLES:				
X	:±0.5	X	:±2°	
X.X	:±0.3	X.X	:±1°	
X.XX	:±0.2	X.XX		
TITLE				
Suzhou Singatron Auto Electronics CO.,LTD. 蘇州信音汽車電子有限公司				
CIRCULAR SERIES QUICK TYPE MIDDLE SIZE FEMALE CONN&MALE CONN.				
PART NO.:2QT3004-W04464H				
SCALE: 1:1 UNIT: mm				
SIZE: A3 SHEET: 1 OF 1 REV: A				
CUSTOMER COPY				

NOTES:

- ELECTRICAL CHARACTERISTICS:
  - 1-1 CURRENT RATING: 10 AMPS.
  - 1-2 CONTACT RESISTANCE: 3 Ohm Max.
  - 1-3 INSULATION RESISTANCE: 100 MOhm Min. at 500VDC.
- ENVIRONMENTAL:
  - 2-1 OPERATING TEMPERATURE: -20°C TO +70°C.
  - 2-2 SEALING REQUIREMENTS: IP67.
- OTHER GENERAL SPEC TO REFER "QUICK SERIES GENERAL SPEC".
- TO CONFORM TO SINGATRON HAZARDOUS SUBSTANCE FREE SPEC.
- GREEN PRODUCT IDENTIFICATION LABEL ON PACKAGING:

