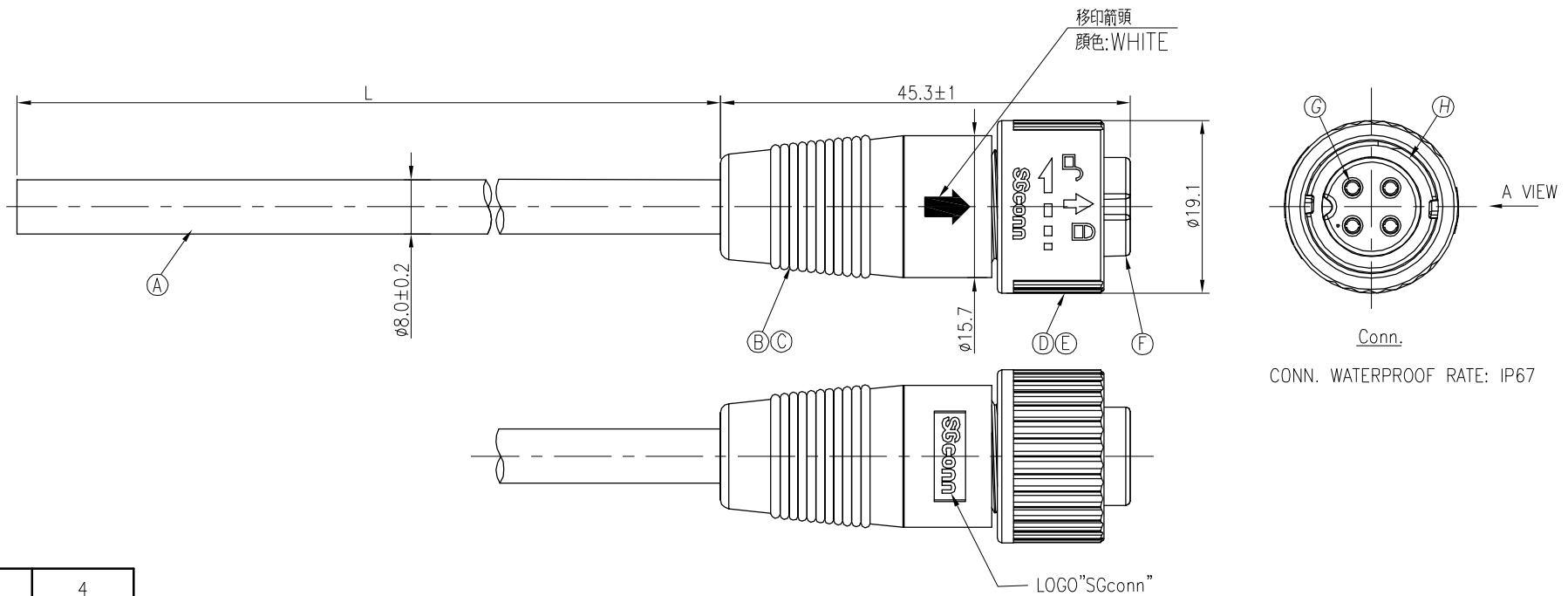


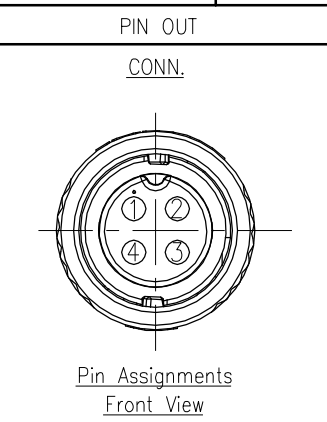
REV.	ECN NO OR DESCRIPTION	REVISED	DATE
A	PDR NO.:A210726-1A-B	LEI	2021.12.13



CONN. WATERPROOF RATE: IP67

YELLOW	4
BLUE	3
BLACK	2
RED	1
WIRE COLOR	CONN.

P/N	"L"mm
2QT3004-W04446H	16000±500
2QT3004-W04447H	20000±500



- NOTES:
- CURRENT RATING: 10A
 - ENVIRONMENTAL:
 - 2-1 OPERATING TEMPERATURE: -20°C TO +80°C.
 - 2-2 SEALING REQUIREMENTS: IP67.
 - LIFE TEST: 1,000 CYCLES MIN..
 - TO CONFORM TO SINGATRON HAZARDOUS SUBSTANCE FREE SPEC.
 - GREEN PRODUCT IDENTIFICATION LABEL ON PACKAGING: **G.P. PASS**

H	O-RING	1	SILICONE	BLUE
G	FEMALE PIN	4	Phosphor Bronze	1~3u" GOLD PLATING OVER NICKEL PLATING
F	BODY	1	PA66	BLACK
E	SPRING	1	SUS	N/A
D	LOCK NUT	1	PC	GREY
C	INNER MOLD	1	TPU	NATURAL
B	OVER MOLD	1	TPU	BLACK
A	CABLE(客供)	1	UL2733 18AWG*4C PVC	BLACK
NO	DESCRIPTION	QTY	MATERIAL	PLATING & COLOR
UNLESS OTHERWISE SPECIFIED TOLERANCES			Suzhou Singatron Auto Electronics CO.,LTD. 蘇州信音汽車電子有限公司	
DECIMALS:		ANGLES:		TITLE
X	:±0.5	X	:±2°	CIRCULAR SERIES QUICK TYPE STANDARD SIZE FEMALE CONN. FEMALE 4PIN (180°,IP67)
X.X	:±0.3	X.X	:±1°	DWN
X.XX	:±0.2			LEI
		APVD	JF	SCALE 2:1
		SIZE: A3		UNIT: mm
		SHEET: 1 OF 1		REV: A
CUSTOMER COPY				