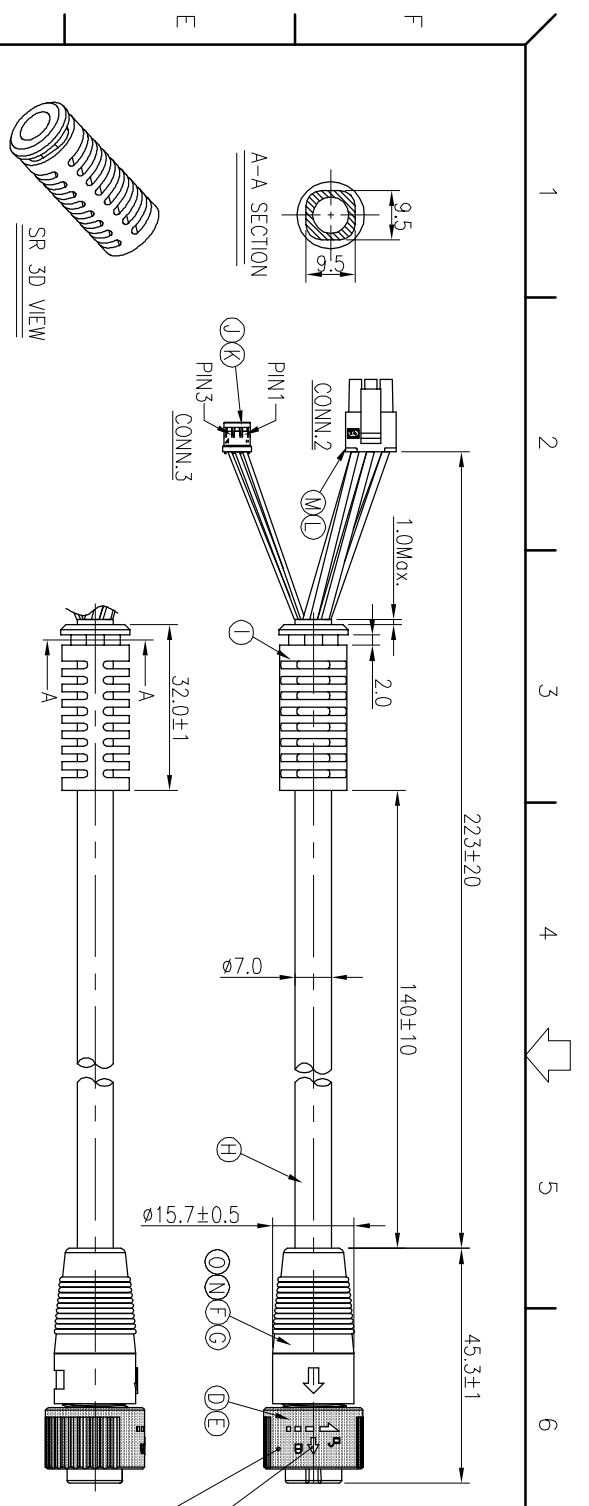
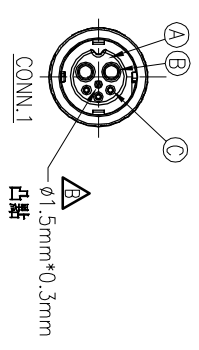
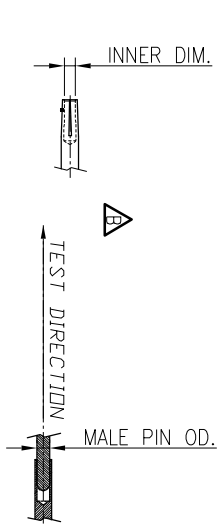
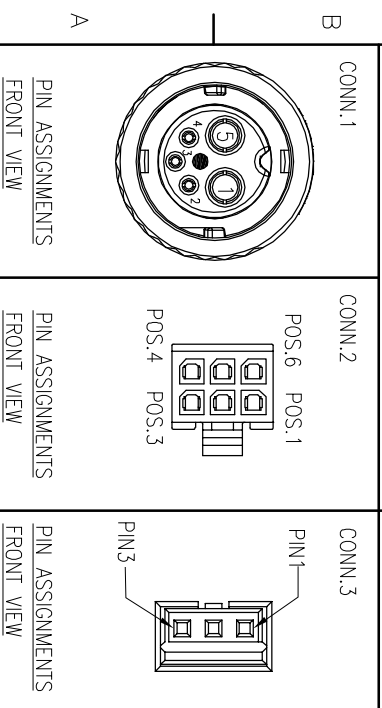


REV.	ECN NO.	OR DESCRIPTION	REVISED	DATE
A	PDR NO.	T180516-5C	DA	2019.05.14
B	ECN NO.	S201910-043	MF	2019.11.27



D	CONN.1	CONN.2	CONN.3
3	WHITE(24#)	4	
2	BLUE(24#)	3	
1	GREEN(24#)	2	
	YELLOW(22#)	5	
	GREY(22#)	5	
	BLACK(22#)	5	
	ORANGE(22#)	1	
	BROWN(22#)	1	
	RED(22#)	1	
	WIRE COLOR	CONN.1	

- NOTES:
- ELECTRICAL CHARACTERISTICS  
TEMPERATURE RANGE: -20°C TO +80°C  
CURRENT RATING: 20A+1.5A
  - SPECIFICATIONS TO REFER "QUICK SERIES GENERAL SPEC."
  - TO CONFORM TO SINGATRON HAZARDOUS SUBSTANCE FREE SPEC.
  - GREEN PRODUCT IDENTIFICATION LABEL ON PACKAGING: **GREEN PASS**
  - DETERMINE OF FEMALE PIN OPENING :  
POWER PIN (PIN 1 & PIN 5)  
INNER DIMENSIONS: 2.18 ±0.15  
FOR MALE PIN CLAMPING FORCE: 420g Min.  
(MALE PIN OD.  $\phi 2.40 \pm 0.02$ )  
SIGNAL PIN (PIN 2 ~ PIN 4)  
INNER DIMENSIONS: 0.57 ±0.1  
FOR MALE PIN CLAMPING FORCE: 30g Min.  
(MALE PIN OD.  $\phi 0.80 \pm 0.02$ )



QTY	DESCRIPTION	MATERIAL	PLATING & COLOR
1	HEAT SHRINK TUBE	125' 300V	BLACK
5	HEAT SHRINK TUBE	125' 300V	BLACK
6	TERMINAL 2	PHOSPHOR BRONZE	TIN-PLATED
1	HOUSING 2	MOLEX 43025-0600	BLACK
3	TERMINAL 1	PHOSPHOR BRONZE	GOLD FLASH
1	HOUSING 1	ACES 50294-003	WHITE
1	SR	PVC	BLACK
1	CABLE	UL2464 22AWG*6C+24AWG*3C+AL(UV) 0D7.0	BLACK(80P PVC JACKET)
1	INNER MOLD	PVC	BLACK
1	OVER MOLD	PVC	BLACK
1	SPRING	SUS	N/A
1	LOCK NUT	PC	BLACK
3	FEMALE PIN 1.5A	PHOSPHOR BRONZE	GOLD FLASH
2	FEMALE PIN 20A	COPPER ALLOY	OVER NICKEL PLATING
1	BODY	PA66+GF	BLACK

UNLESS OTHERWISE SPECIFIED TOLERANCES

Singatron Enterprise Co., Ltd.  
信亨企業股份有限公司

CIRCULAR SERIES QUICK TYPE STANDARD SIZE  
FEMALE CONN. FEMALE PIN

DWG	MF	PART NO.	2QT3004-W05E03H
CHKD	Cerry	SCALE 1:1	UNIT: mm
APVD	William	SIZE: A3	SHEET: 1 OF 1

REVISION: B

CUSTOMER COPY