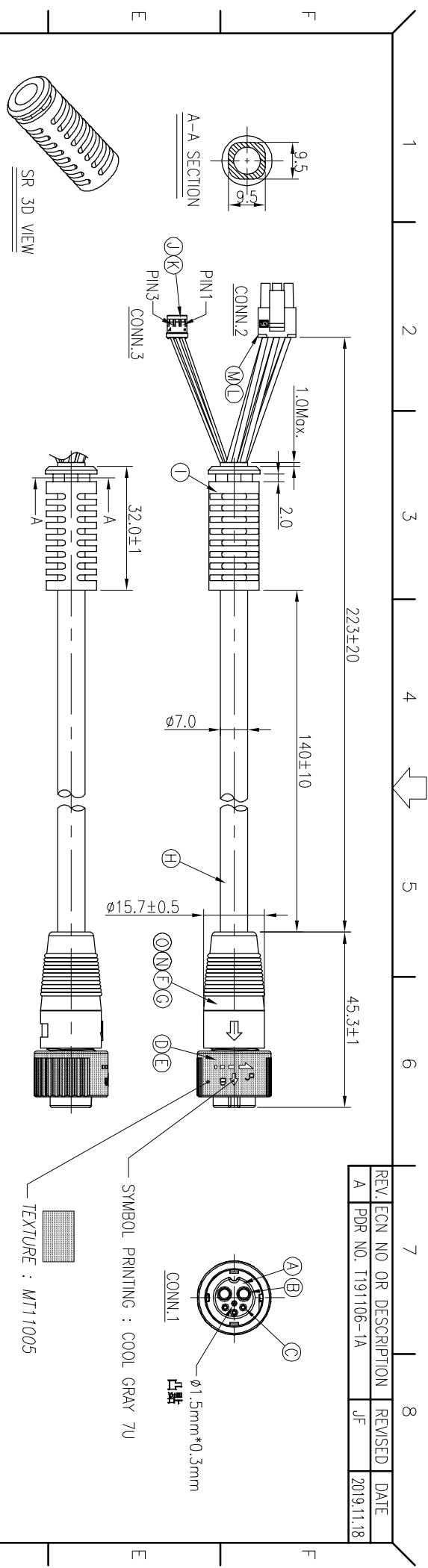
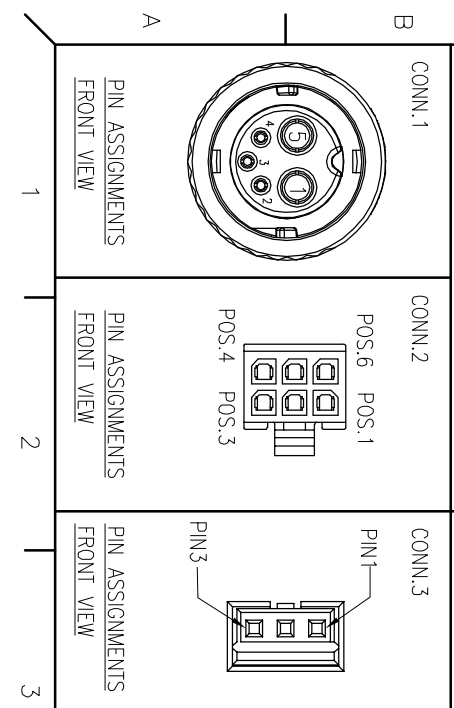


REV.	ECN NO.	OR DESCRIPTION	REVISED	DATE
A	PDR NO.	T191106-1A	JF	2019.11.18



3	WHITE(24#)	4
2	BLUE(24#)	3
1	GREEN(24#)	2
	YELLOW(22#)	5
	GREY(22#)	5
	BLACK(22#)	5
	ORANGE(22#)	1
	BROWN(22#)	1
	RED(22#)	1
CONN.3	CONN.2	CONN.1

CONN.1	CONN.2	CONN.3
POS.6	POS.1	PIN1
POS.4	POS.3	PIN3



NOTES:

- ELECTRICAL CHARACTERISTICS
TEMPERATURE RANGE: -20°C TO +80°C
CURRENT RATING: 20A+1.5A
- SPECIFICATIONS TO REFER "QUICK SERIES GENERAL SPEC."
- TO CONFORM TO SINGATRON HAZARDOUS SUBSTANCE FREE SPEC.
- GREEN PRODUCT IDENTIFICATION LABEL ON PACKAGING: **GREEN PASS**
- DETERMINE OF FEMALE PIN OPENING :
POWER PIN (PIN 1 & PIN 5)
INNER DIMENSIONS: 2.18 ±0.15
FOR MALE PIN CLAMPING FORCE: 420g Min.
(MALE PIN OD. ϕ 2.40±0.02)

0	HEAT SHRINK TUBE	1	125' 300V	BLACK
N	HEAT SHRINK TUBE	5	125' 300V	BLACK
M	TERMINAL 2	6	PHOSPHOR BRONZE	TIN-PLATED
L	HOUSING 2	1	MOLEX 43025-0600	BLACK
K	TERMINAL 1	3	PHOSPHOR BRONZE	GOLD FLASH
J	HOUSING 1	1	ACES 50294-003	WHITE
I	SR	1	PVC	BLACK
H	CABLE	1	UL2464 22AWG*6C+24AWG*3C+AL(UV) 0D7.0	BLACK(80P PVC JACKET)
G	INNER MOLD	1	PVC	BLACK
F	OVER MOLD	1	PVC	BLACK
E	SPRING	1	SUS	N/A
D	LOCK NUT	1	PC	BLACK
C	FEMALE PIN 1.5A	3	PHOSPHOR BRONZE	GOLD FLASH OVER NICKEL PLATING
B	FEMALE PIN 20A	2		
A	BODY	1	PA66+GF	BLACK

UNLESS OTHERWISE SPECIFIED TOLERANCES

DECIMALS: ANGLES:

X :±0.5 X :±2

X.X :±0.3 X.X :±1'

X.XX :±0.2 X.XX :±1'