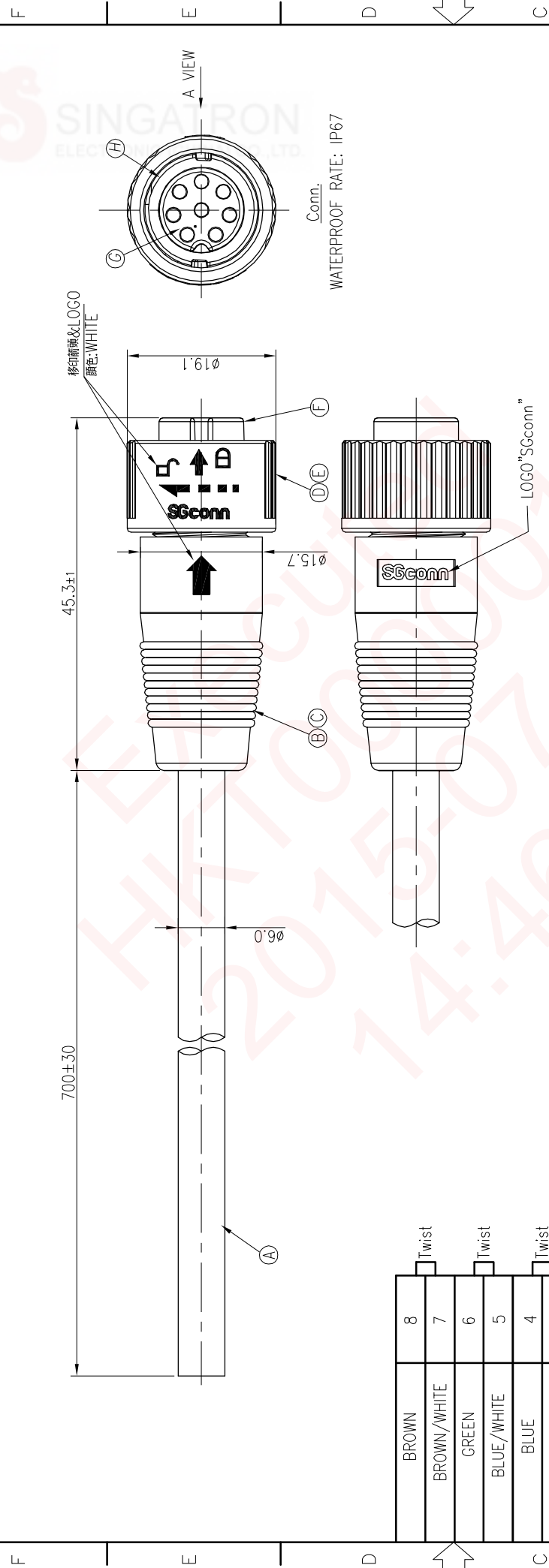
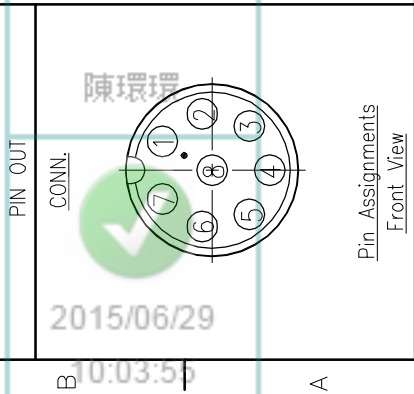


REV: ECN NO OR DESCRIPTION	REVISED	DATE
A PDR NO.:S150311-3A	JF	2015.06.22



Cont.  
WATERPROOF RATE: IP67

8	Twist	BROWN
7	Twist	BROWN/WHITE
6	Twist	GREEN
5	Twist	BLUE/WHITE
4	Twist	BLUE
3	Twist	GREEN/WHITE
2	Twist	ORANGE
1	Twist	ORANGE/WHITE
WIRE COLOR CONN.		



H	O-RING	1	SILICONE	BLUE
G	FEMALE PIN	8	Phosphor Bronze	1~3u" GOLD PLATING OVER NICKEL PLATING
F	BODY	1	PA66	BLACK
E	SPRING	1	SUS	N/A
D	LOCK NUT	1	PC	GREY
C	INNER MOLD	1	TPU	BLACK
B	OVER MOLD	1	TPU	BLACK
A	CABLE	1	CAT 5E 24AWG*4P +ADB CMX UV	BLACK
NO	DESCRIPTION	QTY	MATERIAL	PLATING & COLOR

UNLESS OTHERWISE SPECIFIED TOLERANCES

DECIMALS: ANGLES: X :±0.5 X :±2° X.X :±0.3 X.X.X :±1° X.XX :±0.2

UNLESS OTHERWISE SPECIFIED TOLERANCES

DECIMALS: ANGLES: X :±0.5 X :±2° X.X :±0.3 X.X.X :±1° X.XX :±0.2

SINGATRON 信音企業股份有限公司	
TITLE	CIRCULAR SERIES QUICK TYPE STANDARD SIZE FEMALE CONN. FEMALE 8PIN (180°/IP67)
DWN	JF
CHKD	Yang
APVD	Harlen
SCALE	2:1
UNIT	mm
PART NO.	2QT3004-W08301H
SIZE	A3
SHEET	1 OF 1
REV	A

- (NOTES:
1. WATERPROOF RATE: IP67
  2. SPECIFICATIONS: SEE "QUICK SERIES GENERAL SPEC".
  3. TO CONFORM TO SINGATRON HAZARDOUS SUBSTANCE FREE SPEC.
  4. GREEN PRODUCT IDENTIFICATION LABEL ON PACKAGING: **GR. PASS**

2015/06/29 10:03:55

陳環環

DCC(S)

文員