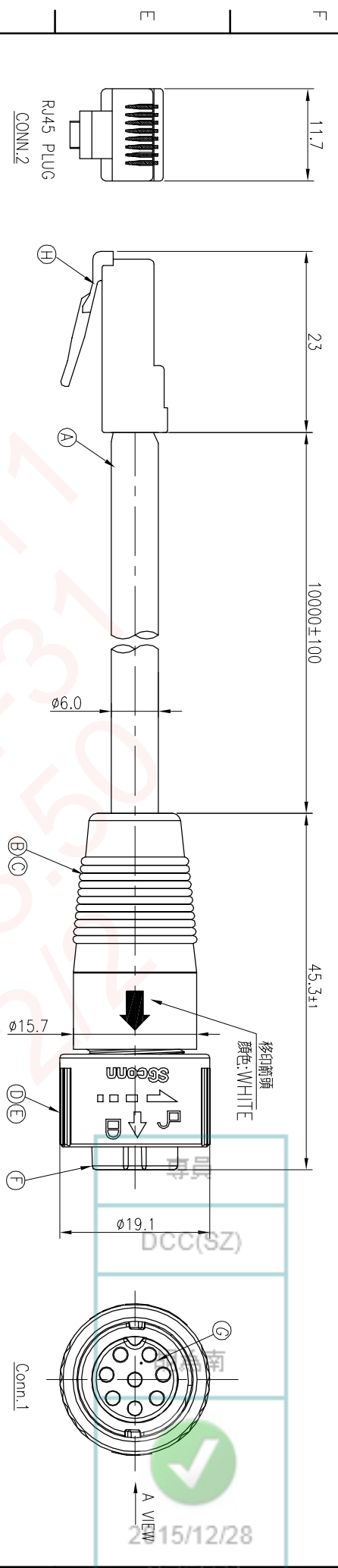
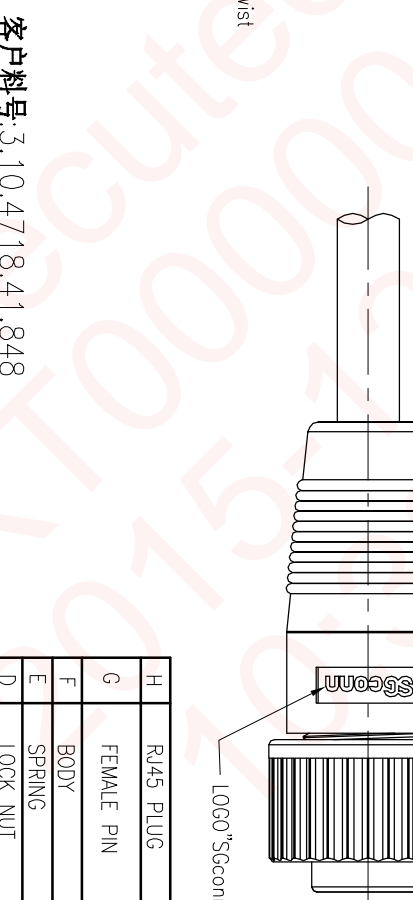


REV	ECN NO	OR DESCRIPTION	REVISED	DATE
A	PDR NO.:S150629-7E	Vicky	2015.06.11	



CONN.2	WIRE COLOR	CONN.1
1	ORANGE/WHITE	1
2	ORANGE	2
3	GREEN/WHITE	3
4	BLUE	6
5	BLUE/WHITE	5
6	GREEN	4
7	BROWN/WHITE	7
8	BROWN	8

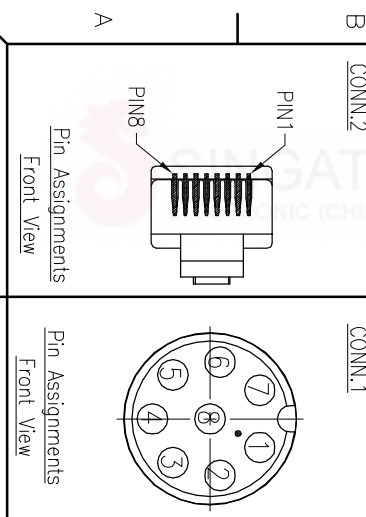


NO	DESCRIPTION	QTY	MATERIAL	PLATING & COLOR
A	CABLE(料号)	1	H5YYP-5e 4*2*0.5 +D+A/MY OD=6.0	BLACK
B	OVER MOLD	1	PVC	BLACK
C	INNER MOLD	1	PVC	BLACK
D	LOCK NUT	1	PC	GREY
E	SPRING	1	SUS	N/A
F	BODY	1	PA66	BLACK
G	FEMALE PIN	8	Phosphor Bronze	1~3u" GOLD PLATING OVER NICKEL PLATING
H	RJ45 PLUG	1	8P8C	GOLD PLATING

客户料号:3.10.4718.41.848

NOTES:

1. WATERPROOF RATE: IP65
2. SPECIFICATIONS:SEE "QUICK SERIES GENERAL SPEC."
3. TO CONFORM TO SINGATRON HAZARDOUS SUBSTANCE FREE SPEC.
4. GREEN PRODUCT IDENTIFICATION LABEL ON PACKAGING:



CONN.2	PIN OUT	CONN.1
1	ORANGE/WHITE	1
2	ORANGE	2
3	GREEN/WHITE	3
4	BLUE	6
5	BLUE/WHITE	5
6	GREEN	4
7	BROWN/WHITE	7
8	BROWN	8

UNLESS OTHERWISE SPECIFIED TOLERANCES	SINGATRON ENTERPRISE CO., LTD.	
DECIMALS:	ANGLES:	
X :±0.5	X :±2'	
X.X :±0.3	X.X :±1'	
X.XX :±0.2		
TITLE: CIRCULAR SERIES QUICK TYPE STANDARD SIZE		
FEMALE CONN. FEMALE 8PIN (1807)		
DWN	Vicky	PART NO.:2Q13004-W08305H
CHKD	Harlen	SCALE 2:1 UNIT: mm
APVD	Steve	SIZE: A3 SHEET: 1 OF 1 REV: A
CUSTOMER COPY		