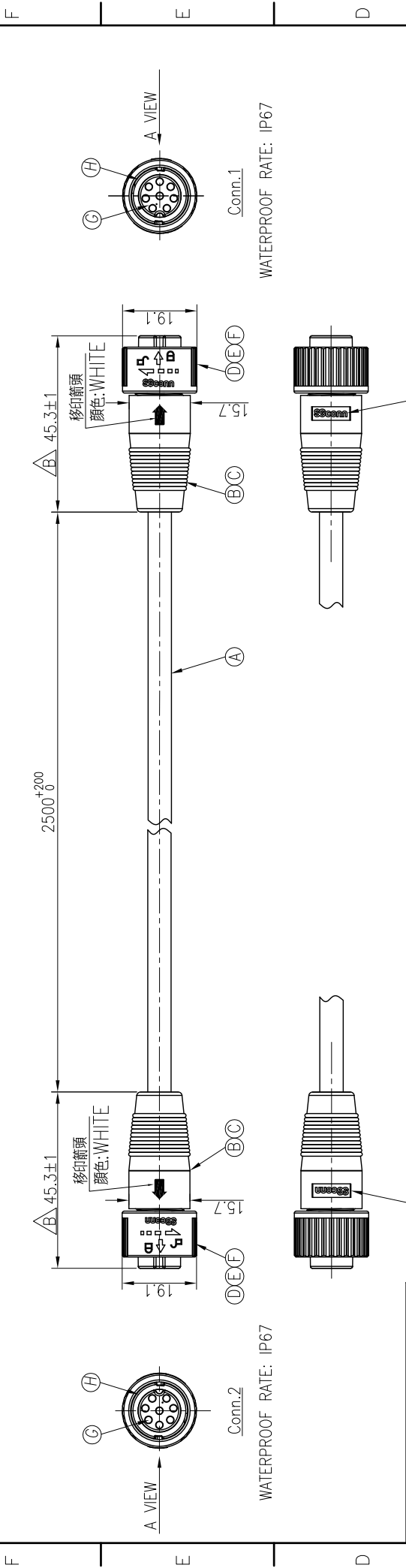


REV.	ECN NO. OR DESCRIPTION	REVISED	DATE
A	PDR NO.:S150730-10B	Vicky	2015.07.13
B	ECN NO.:S202201-R06	Elrod	2022.01.11



8	BROWN	8	Twist
7	BROWN/WHITE	7	Twist
6	BLUE	6	Twist
5	BLUE/WHITE	5	Twist
4	GREEN	4	Twist
3	GREEN/WHITE	3	Twist
2	ORANGE	2	Twist
1	ORANGE/WHITE	1	Twist
CONN1.	WIRE COLOR	CONN2.	
PIN DEFINITION			

CONN1&2.		PIN DEFINITION	
H	BODY	2	PA66
G	FEMALE PIN	16	Phosphor Bronze
F	O-RING	2	SILICONE
E	SPRING	2	SUS
D	LOCK NUT	2	PC
C	INNER MOLD	2	TPU
B	OVER MOLD	2	TPU
A	CABLE	1	HSYP-5e 4*2*0.5 +D+A/My OD=6.0客供
NO	DESCRIPTION	QTY	MATERIAL
UNLESS OTHERWISE SPECIFIED TOLERANCES		PLATING & COLOR	
DECIMALS: ANGLES:		Suzhou Singatron Auto Electronics CO.,LTD.	
X :±0.5 X :±2°		蘇州信音汽車電子有限公司	
X.X :±0.3 X.X :±1°		CIRCULAR SERIES QUICK TYPE STANDARD SIZE	
X.XX :±0.2 X.XX :±0.2		PART NO.:2QT3004-W08307H	
		SCALE: 1:1 UNIT: mm	
		SIZE: A3 SHEET: 1 OF 1 REV: B	
CUSTOMER COPY			

PIN ASSIGNMENTS	
Front View	

NOTES:	
1. WATERPROOF RATE: IP67	
2. CURRENT RATINGS: 5A	
3. SPECIFICATIONS: SEE "CIRCULAR SERIES SPECIFICATIONS".	
4. TO CONFORM TO SINGATRON HAZARDOUS SUBSTANCE FREE SPEC.	
5. GREEN PRODUCT IDENTIFICATION LABEL ON PACKAGING: [G.P. PASS]	