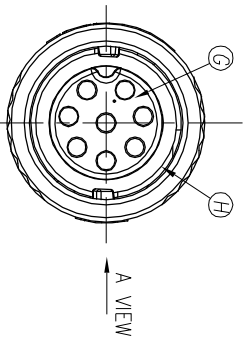
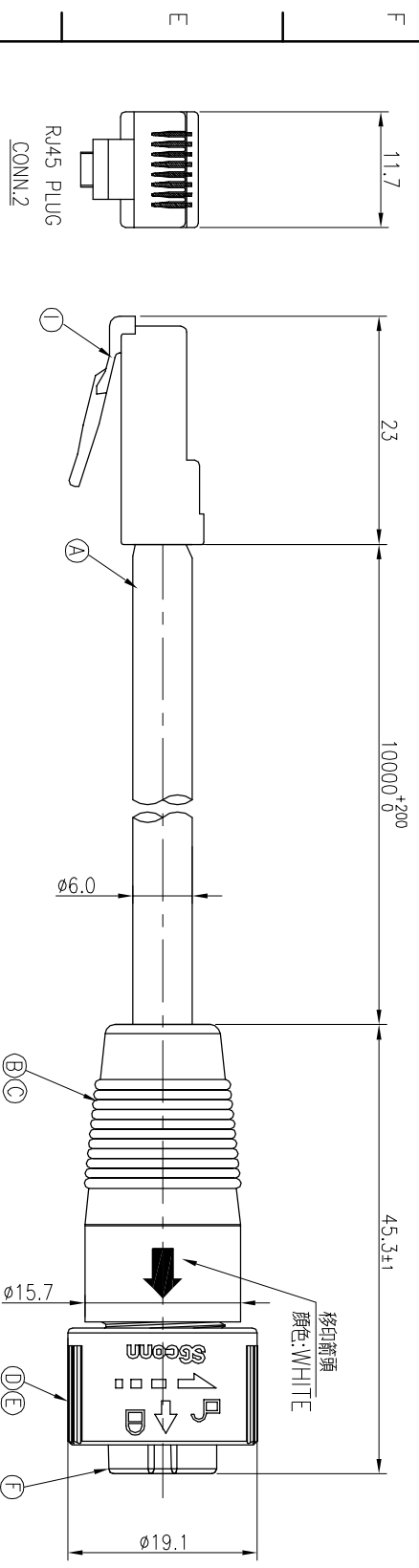


REV.	ECN NO	OR DESCRIPTION	REVISED	DATE
A	PDR	NO.:S160524-1G	Vcky	2016.05.24

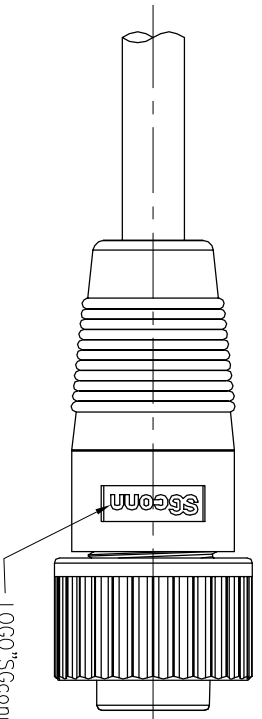
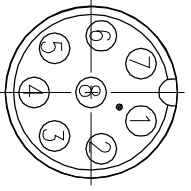
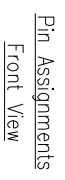


CONN.2	WIRE COLOR	CONN.1
1	ORANGE/WHITE	1
2	ORANGE	2
3	GREEN/WHITE	3
4	BLUE	6
5	BLUE/WHITE	5
6	GREEN	4
7	BROWN/WHITE	7
8	BROWN	8

客户料号: 3.10.4718.41.900

NOTES:

1. WATERPROOF RATE: IP67
2. SPECIFICATIONS: SEE "QUICK SERIES GENERAL SPEC."
3. TO CONFORM TO SINGATRON HAZARDOUS SUBSTANCE FREE SPEC.
4. GREEN PRODUCT IDENTIFICATION LABEL ON PACKAGING:



NO	DESCRIPTION	QTY	MATERIAL	PLATING & COLOR
I	RJ45 PLUG	1	8P8C	GOLD PLATING
H	O-RING	1	SILICONE	BLUE
G	FEMALE PIN	8	Phosphor Bronze	1~3u" GOLD PLATING OVER NICKEL PLATING
F	BODY	1	PA66	BLACK
E	SPRING	1	SUS	N/A
D	LOCK NUT	1	PC	GREY
C	INNER MOLD	1	TPU	BLACK
B	OVER MOLD	1	TPU	BLACK
A	CABLE(卷#)	1	HSTYP-5e 4*2*0.5 +D+A/MY OD=6.0	BLACK

UNLESS OTHERWISE SPECIFIED TOLERANCES

DECIMALS:	ANGLES:
X :±0.5	X :±2°
X.X :±0.3	X.X :±1°
X.XX :±0.2	

Singatron Enterprise Co., Ltd.  
信亨企業股份有限公司  
REGULAR SERIES QUICK TYPE STANDARD SIZE  
FEMALE CONN. FEMALE BRN (180° IP67)PART NO.: 2QT3004-N08308H  
SCALE 2:1 UNIT: mm  
SIZE: A3 SHEET: 1 OF 1 REV: A