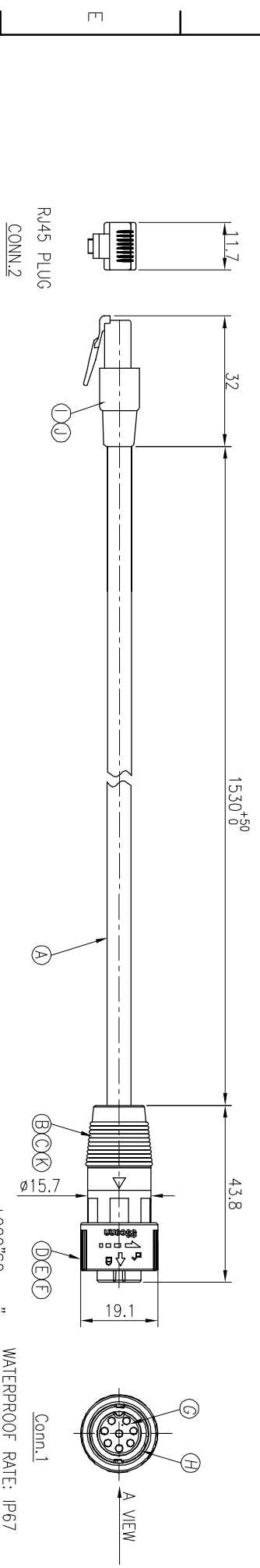
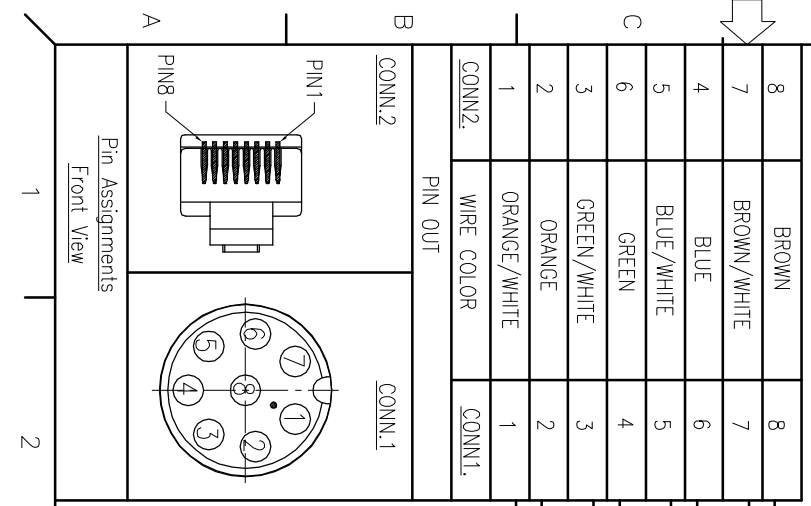


REV.	ECN NO.	OR DESCRIPTION	REVISED	DATE
A	PDR NO.:A171010-1A		Vckv	2017.10.17
B	ECN NO.:S180412-R		Vckv	2018.04.13

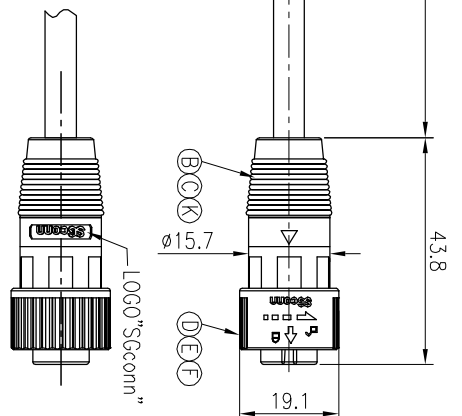


Singatron NO.	Customer NO.	"L" mm
2013004-W08314H	3.10.4718.41.939	1530+50/-0



Pin	Color	Notes
8	BROWN	Twist
7	BROWN/WHITE	Twist
4	BLUE	Twist
5	BLUE/WHITE	Twist
6	GREEN	Twist
3	GREEN/WHITE	Twist
2	ORANGE	Twist
1	ORANGE/WHITE	Twist

- NOTES:
1. WATERPROOF RATE: IP67
  2. CURRENT RATING: 5A
  3. SPECIFICATIONS:SEE "CIRCULAR SERIES SPECIFICATIONS".
  4. TO CONFORM TO SINGATRON HAZARDOUS SUBSTANCE FREE SPEC.
  5. GREEN PRODUCT IDENTIFICATION LABEL ON PACKAGING:



NO	DESCRIPTION	QTY	MATERIAL	PLATING & COLOR
K	LIQUID GLUE	1	N/A	BLACK
J	CAP	1	3.4637.198 (客册)	RED
I	RJ45 PLUG	1	8P8G.3.4637.206 (客册)	GOLD PLATED
H	BODY	1	PA66+25%GF	BLACK
G	FEMALE PIN	8	Phosphor Bronze	1~3u" GOLD PLATING OVER NICKEL PLATING
F	O-RING	1	SILICONE	BLUE
E	SPRING	1	SUS	N/A
D	LOCK NUT	1	PC EXL 9330	GREY
C	CLAMP RING	1	PA66	BLACK
B	OVER MOLD	1	TPU	BLACK
A	CABLE	1	3.4634.3.035 客供	BLACK(PVC JACKET)

NO	DESCRIPTION	QTY	MATERIAL	PLATING & COLOR
UNLESS OTHERWISE SPECIFIED TOLERANCES				
DECIMALS: ANGLES:				
X	:±0.5	X	:±2°	
X.X	:±0.3	X.X	:±1°	
X.XX	:±0.2			

Singatron Enterprise Co., Ltd.  
 信登企業股份有限公司

CIRCULAR SERIES QUICK TYPE STANDARD SIZE  
 FEMALE CONN. FEMALE 8PIN (180° IP67)

TITLE: **PART NO.2QT3004-W08314H**

CHKD: JF SCALE: 1:1 UNIT: mm

APVD: Steve SIZE: A3 SHEET: 1 OF 1 REV: B

**CUSTOMER COPY**