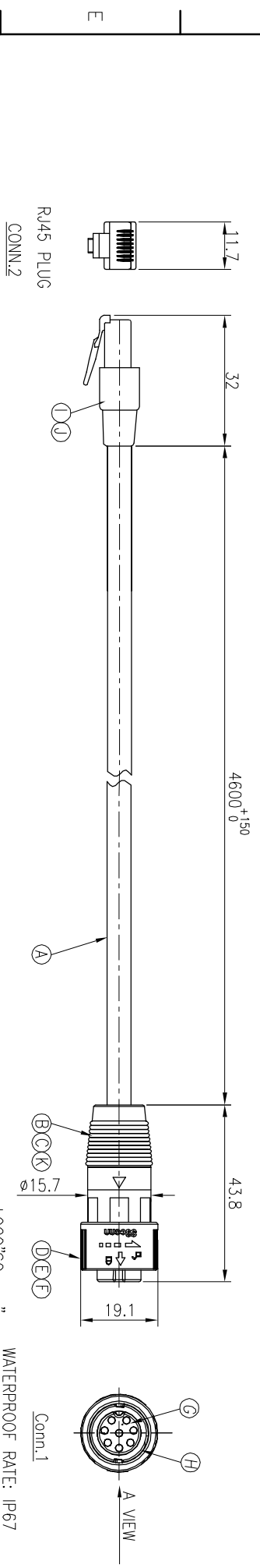
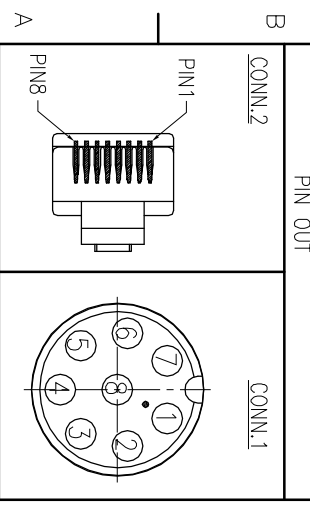


REV.	ECN NO.	OR DESCRIPTION	REVISED	DATE
A	PDR NO.:A171010-1C		Wcky	2017.10.17
B	ECN NO.:S180412-R		Wcky	2018.04.13

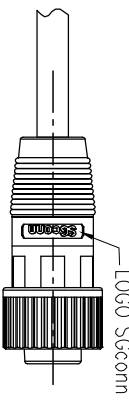


Singatron NO.	Customer NO.	"L" mm
ZQT3004-W08315H	3.10.4718.41.941	4600+150/-0

CONN2	WIRE COLOR	CONN1
8	BROWN	8
7	BROWN/WHITE	7
4	BLUE	6
5	BLUE/WHITE	5
6	GREEN	4
3	GREEN/WHITE	3
2	ORANGE	2
1	ORANGE/WHITE	1



- NOTES:
1. WATERPROOF RATE: IP67
  2. CURRENT RATING: 5A
  3. ELECTRICAL CHARACTERISTICS TEMPRATURE RANGE:-40° TO +80°
  4. SPECIFICATIONS:SEE "CIRCULAR SERIES SPECIFICATIONS."
  5. TO CONFORM TO SINGATRON HAZARDOUS SUBSTANCE FREE SPEC.
  6. GREEN PRODUCT IDENTIFICATION LABEL ON PACKAGING:



WATERPROOF RATE: IP67

NO	DESCRIPTION	QTY	MATERIAL	PLATING & COLOR
K	LIQUID GLUE	1	N/A	BLACK
J	CAP	1	3.4637.198 (紫)	RED
I	RJ45 PLUG	1	CAT5E RJ45 UTP PLUG	GOLD PLATED
H	BODY	1	PA66+25%GF	BLACK
G	FEMALE PIN	8	Phosphor Bronze	1~3u" GOLD PLATING OVER NICKEL PLATING
F	O-RING	1	SILICONE	BLUE
E	SPRING	1	SUS	N/A
D	LOCK NUT	1	PC EXL 9330	GREY
C	CLAMP RING	1	PA66	BLACK
B	OVER MOLD	1	TPU	BLACK
A	CABLE	1	CAT5E FTP 24#*4P+MY+D+A/M(U)	UV RESISTANCE BLACK(PVC JACKET)

UNLESS OTHERWISE SPECIFIED TOLERANCES

DECIMALS:	ANGLES:
X :±0.5	X :±2
X.X :±0.3	X.X :±1
X.XX :±0.2	

Singatron Enterprise Co., Ltd.  
信譽企業股份有限公司

CIRCULAR SERIES QUICK TYPE STANDARD SIZE  
FEMALE CONN. FEMALE 8PIN (180:IP67)

DMW	Wcky	PART NO.	2QT3004-W08315H
CHKD	JF	SCALE	1:1
UNIT:	mm	SHEET:	1 OF 1
APVD	Steve	SIZE:	A3

CUSTOMER COPY