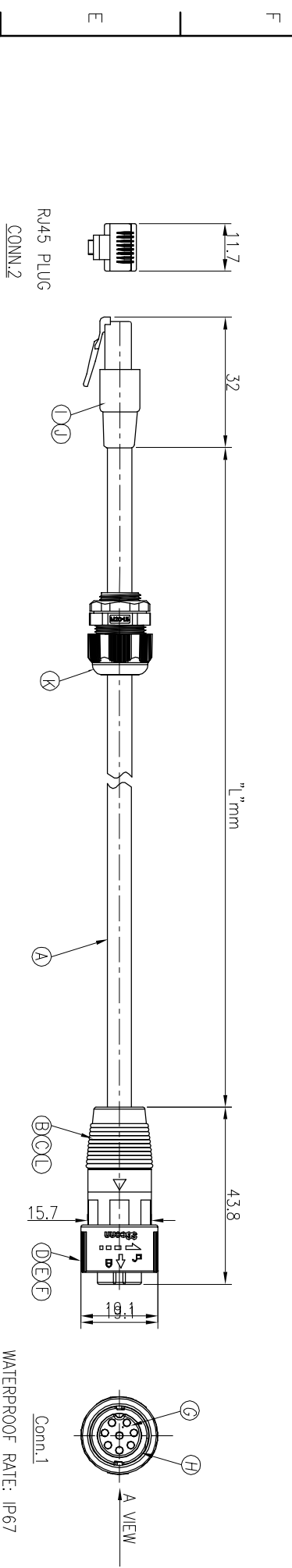
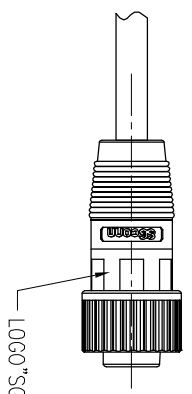


REV.	ECN NO.	OR DESCRIPTION	REVISED	DATE
A	PDR NO.:S170828-5A~5B	Vcky	2017.08.30	

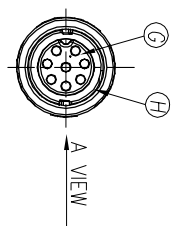


8	BROWN	8
7	BROWN/WHITE	7
4	BLUE	6
5	BLUE/WHITE	5
6	GREEN	4
3	GREEN/WHITE	3
2	ORANGE	2
1	ORANGE/WHITE	1
CONN2.	WIRE COLOR	CONN1.

Singatron NO.	Customer NO.	"L"mm
2QT3004-W08312H	3.10.4718.41.930	1530+50/-0
2QT3004-W08313H	3.10.4718.41.931	4600+100/-0

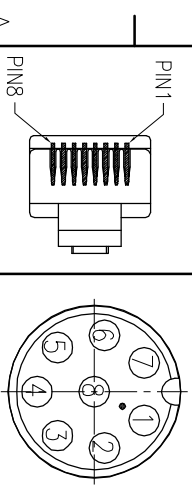


WATERPROOF RATE: IP67



PIN OUT

CONN.2	CONN.1
--------	--------



Pin Assignments  
Front View

NOTES:

1. WATERPROOF RATE: IP67
2. CURRENT RATING: 5A
3. SPECIFICATIONS:SEE "CIRCULAR SERIES SPECIFICATIONS".
4. TO CONFORM TO SINGATRON HAZARDOUS SUBSTANCE FREE SPEC.
5. GREEN PRODUCT IDENTIFICATION LABEL ON PACKAGING:

NO	DESCRIPTION	QTY	MATERIAL	PLATING & COLOR
L	LIQUED GLUE	1	N/A	BLACK
K	CABLE GLAND	1	M20*1.5 (φ5.5~φ11.2)	BLACK
J	CAP	1	3.4637.198 (紫黒)	RED
I	RJ45 PLUG	1	CAT5E RJ45 FTP PLUG	GOLD PLATED
H	BODY	1	PA66	BLACK
G	FEMALE PIN	8	Phosphor Bronze	1~3u" GOLD PLATING OVER NICKEL PLATING
F	O-RING	1	SILICONE	BLUE
E	SPRING	1	SUS	N/A
D	LOCK NUT	1	PC	GREY
C	CLAMP RING	1	PA66	BLACK
B	OVER MOLD	1	TPU	BLACK
A	CABLE	1	CAT5E FTP 24#*4P+MY+D+A/M OD:6.0mm	BLACK(PVC JACKET)

UNLESS OTHERWISE SPECIFIED TOLERANCES

DECIMALS:	ANGLES:
X : ±0.5	X : ±2°
X.X : ±0.3	X.X : ±1°
X.XX : ±0.2	

Singatron Enterprise Co., Ltd. 信營企業股份有限公司	
TITLE	CIRCULAR SERIES QUICK TYPE STANDARD SIZE FEMALE CONN. FEMALE BRN (180,IP67)
DWN	Vcky PART NO.:2QT3004-W0831XH
CHKD	JF SCALE 1:1 UNIT: mm
APVD	William SIZE: A3 SHEET:1 OF 1 REV: A

CUSTOMER COPY