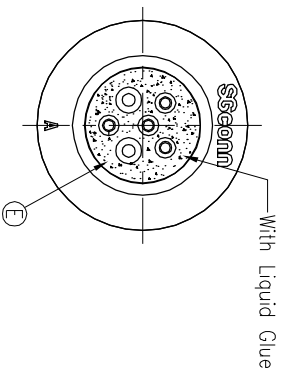
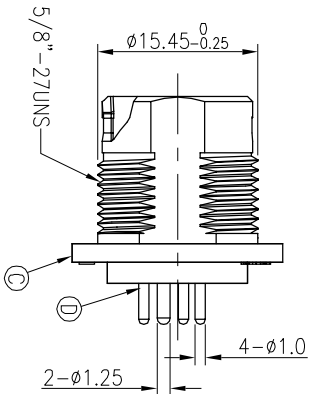
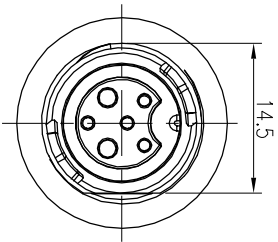
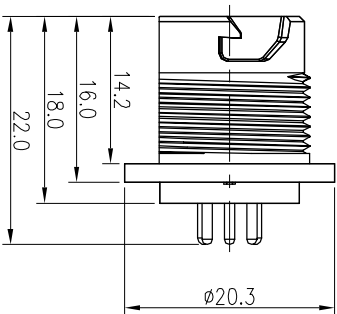
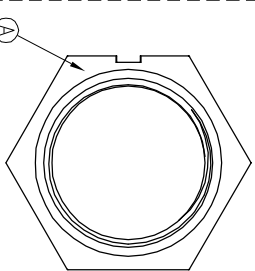


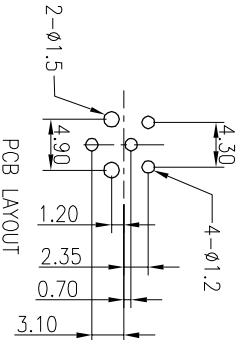
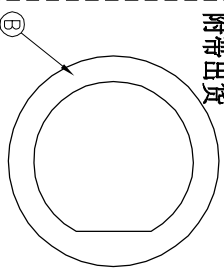
RECOMMENDED PANEL CUT-OUT



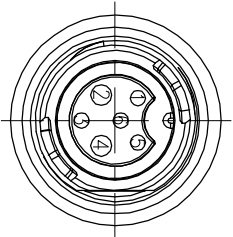
附带出货



附带出货



PCB LAYOUT



PIN ASSIGNMENTS
FRONT VIEW

NOTES:

- ELECTRICAL CHARACTERISTICS:
 - CURRENT RATING: 10+5 AMPS.
 - CONTACT RESISTANCE: 30mΩ Max.
 - INSULATION RESISTANCE: 100MΩ Min at 500V DC.
 - BREAKDOWN VOLTAGE: 500 VAC PER MINUTE.
- MECHANICAL CHARACTERISTICS:
 - TIGHTENING TORQUES: 0.8~1.0Nm(7.08~8.85lbf.in.).
- ENVIRONMENTAL:
 - OPERATING TEMPERATURE: -40°C TO +105°C.
 - SEALING REQUIREMENTS: IP67 (WHEN PROPERLY MATED).
IP67: IMMERSED IN 1M WATER FOR 30 MINUTES.
 - LIFE TEST: 1,000 CYCLES MIN.
 - FOR PANEL THICKNESS MAX OF 4.0mm
- OTHER GENERAL SPEC TO REFER "CIRCULAR SERIES GENERAL SPEC".
- ALL DIMENSIONS ARE NOMINAL FOR REFERENCE ONLY UNLESS OTHERWISE STATED.
- GREEN PRODUCT IDENTIFICATION LABEL ON PACKAGING:

REV.	ECN NO.	OR DESCRIPTION	REVISED	DATE
A	PDR NO.:	A230106-3A	RZ	2023.04.08

E	LIQUID GLUE	1	N/A	BLACK
D	FEMALE PIN	6	PHOSPHOR BRONZE	GOLD PLATING OVER NICKEL PLATING
C	BODY	1	PA66	BLACK
B	GASKET	1	SILICONE SHORE A 70'	BLACK
A	NUT	1	PA66	BLACK
NO	DESCRIPTION	QTY	MATERIAL	PLATING & COLOR
UNLESS OTHERWISE SPECIFIED TOLERANCES				
Suzhou Singatron Auto Electronics CO.,LTD. 苏州信益汽车电子有限公司				
TITLE: CIRCULAR STANDARD SIZE (QUICK TYPE)				
DRAWN: RZ PART NO. 2QT3012-W06801H				
CHECKED: JF SCALE 2:1 UNIT: mm				
APPROVED: JF SIZE: A4 SHEET: 1 OF 1 REV: A				
CUSTOMER COPY				