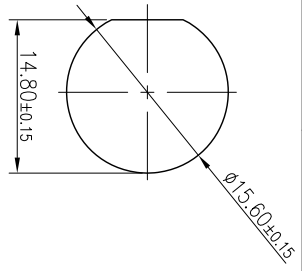
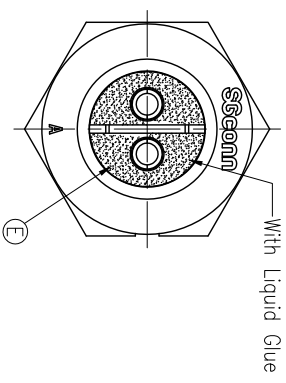
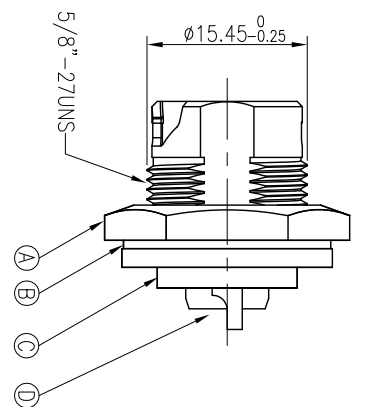
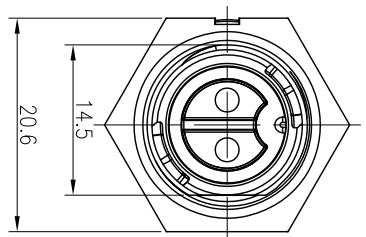
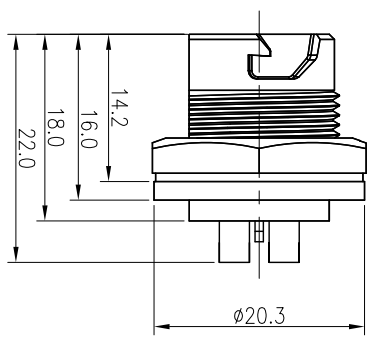


REV.	ECN NO.	OR DESCRIPTION	REVISED	DATE
A	PDR NO.:S131028-6A		Horlen	2015.1.21



RECOMMENDED PANEL CUT-OUT



- NOTES:
- ELECTRICAL CHARACTERISTICS:
 - 1-1 CURRENT RATING: 10 AMPS.
 - 1-2 CONTACT RESISTANCE: 30 mOhm Max.
 - 1-3 INSULATION RESISTANCE: 100 Mohm Min at 500VDC.
 - 1-4 BREAKDOWN VOLTAGE: 1000VAC PER MINUTE
 - MECHANICAL CHARACTERISTICS:
 - 2-1 TIGHTENING TORQUES: 0.8~1.0Nm(7.08~8.85lbf.in.)
 - ENVIRONMENTAL:
 - 3-1 OPERATING TEMPERATURE: -40°C TO +105°C.
 - 3-2 SEALING REQUIREMENTS:IP67.
 - 3-2 SEALING TEST: 1,000 CYCLES MIN.
 - LIFE TEST: 1,000 CYCLES MIN.
 - FOR PANEL THICKNESS MAX OF 4.0mm
 - OTHER GENERAL SPEC TO REFER"QUICK SERIES GENERAL SPEC".
 - FOR TECHNICAL DATA REFER TO YOUR LOCAL SINGATRON ELECTRONICS SALES OFFICE.
 - ALL DIMENSIONS ARE NOMINAL FOR REFERENCE ONLY UNLESS OTHERWISE STATED.
 - TO CONFORM TO SINGATRON HAZARDOUS SUBSTANCE FREE SPEC.
 - GREEN PRODUCT IDENTIFICATION LABEL ON PACKAGING: .

NO	DESCRIPTION	QTY	MATERIAL	PLATING & COLOR
E	LIQUID GLUE	1	N/A	BLACK
D	FEMALE PIN	2	Phosphor Bronze	1~3u" GOLD PLATING OVER NICKEL PLATING
C	BODY	1	PA66	BLACK
B	GASKET	1	SILICONG	BLACK
A	NUT	1	PA66	BLACK

UNLESS OTHERWISE SPECIFIED TOLERANCES

Singatron Enterprise Co., Ltd.
 信善企業股份有限公司

QUICK SERIES STANDARD SIZE (SOLDER TYPE)

TITLE: MALE CONN. FEMALE PIN
 DWG: Horlen PART NO.:QT3014-W02400H
 CHKD: JF SCALE: 2:1 UNIT: mm
 APVD: STEVE SIZE: A3 SHEET: 1 OF 1 REV: A

- DECIMALS: ANGLES:
- X :±0.5 X :±2°
- X.X :±0.3 X.X :±1°
- X.XX :±0.2

CUSTOMER COPY