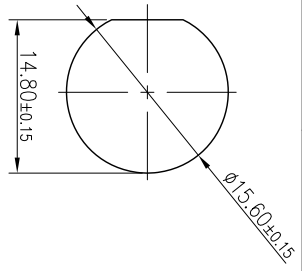
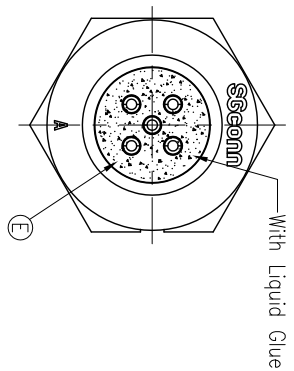
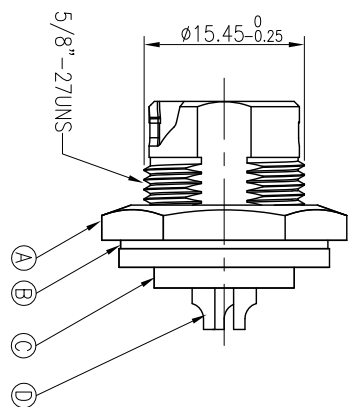
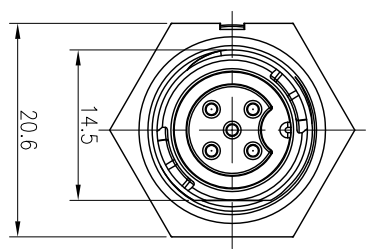
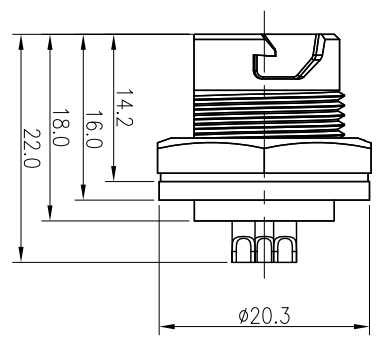


REV.	ECN NO.	OR DESCRIPTION	REVISED	DATE
A	PDR NO.:S131028-7A		Horlen	2015.1.21



RECOMMENDED PANEL CUT-OUT



- NOTES:
- ELECTRICAL CHARACTERISTICS:
 - CURRENT RATING: 5 AMPS.
 - CONTACT RESISTANCE: 30 mOhm Max.
 - INSULATION RESISTANCE: 100 MOhm Min at 500VDC.
 - BREAKDOWN VOLTAGE: 500 VAC PER MINUTE(5A).
 - MECHANICAL CHARACTERISTICS:
 - TIGHTENING TORQUES: 0.8~1.0Nm(7.08~8.85lb.in.).
 - ENVIRONMENTAL:
 - OPERATING TEMPERATURE: -40°C TO +105°C.
 - SEALING REQUIREMENTS: IP67.
 - LIFE TEST: 1,000 CYCLES MIN.
 - FOR PANEL THICKNESS MAX OF 4.0mm
 - OTHER GENERAL SPEC TO REFER "QUICK SERIES GENERAL SPEC".
 - FOR TECHNICAL DATA REFER TO YOUR LOCAL SINGATRON ELECTRONICS SALES OFFICE.
 - ALL DIMENSIONS ARE NOMINAL FOR REFERENCE ONLY UNLESS OTHERWISE STATED.
 - TO CONFORM TO SINGATRON HAZARDOUS SUBSTANCE FREE SPEC.
 - GREEN PRODUCT IDENTIFICATION LABEL ON PACKAGING **RoHS Pass**.

E	LIQUID GLUE	1	N/A	BLACK
D	FEMALE PIN	5	Phosphor Bronze	1~3u" GOLD PLATING OVER NICKEL PLATING
C	BODY	1	PA66	BLACK
B	GASKET	1	SILICONG	BLACK
A	NUT	1	PA66	BLACK
NO	DESCRIPTION	QTY	MATERIAL	PLATING & COLOR
UNLESS OTHERWISE SPECIFIED TOLERANCES				
Singatron Enterprise Co., Ltd. 信善企業股份有限公司				
TITLE QUICK SERIES STANDARD SIZE (SOLDER TYPE)				
DWN Horlen PART NO. 2QT3014-W05300H				
CHKD JF SCALE 2:1 UNIT: mm				
APVD STEVE SIZE: A3 SHEET: 1 OF 1 REV: A				
CUSTOMER COPY				