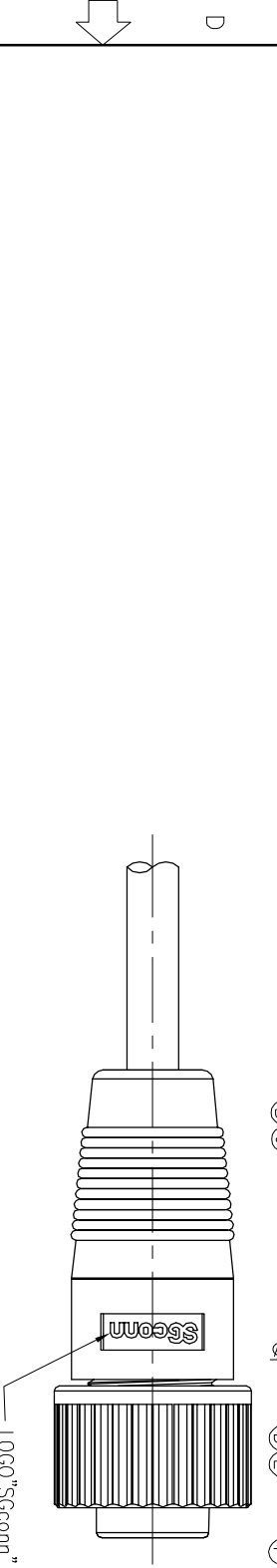
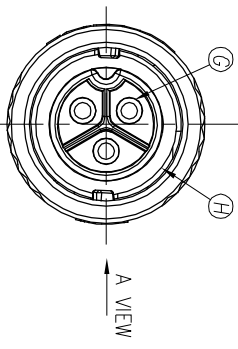
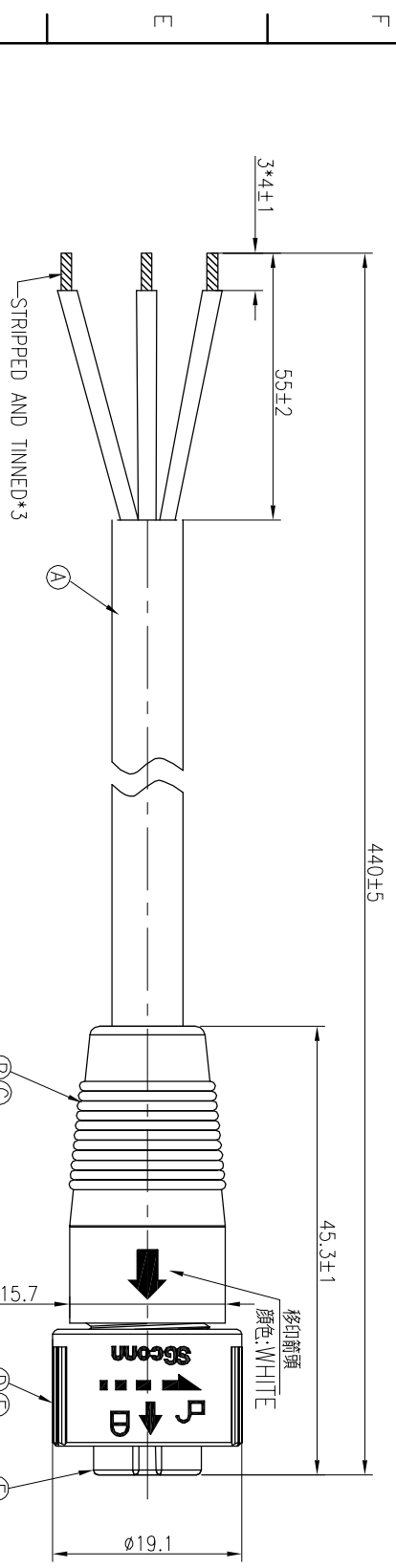
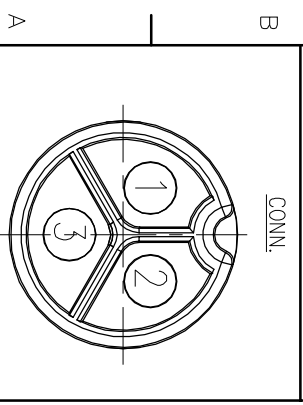


REV.	ECN NO.	OR DESCRIPTION	REVISED	DATE
A	PDR NO.:S170907-4A		Vicky	2017.09.08



BLUE	3
WHITE	2
BROWN	1
WIRE COLOR	CONN.



- NOTES:
- ELECTRICAL CHARACTERISTICS:
    - 1-1 CURRENT RATING: 10 AMPS.
    - 1-2 CONTACT RESISTANCE: 5mOhm Max.
    - 1-3 INSULATION RESISTANCE: 100 MOhm Min. at 500VDC.
    - 1-4 BREAKDOWN VOLTAGE: 1000VAC PER MINUTE.
  - ENVIRONMENTAL:
    - 2-1 OPERATING TEMPERATURE: -35°C TO +105°C.
    - 2-2 SEALING REQUIREMENTS: IP67.
  - OTHER GENERAL SPEC TO REFER"QUICK SERIES GENERAL SPEC".
  - FOR TECHNICAL DATA REFER TO YOUR LOCAL SINGATRON ELECTRONICS SALES OFFICE.
  - ALL DIMENSIONS ARE NOMINAL FOR REFERENCE ONLY UNLESS OTHERWISE STATED.
  - TO CONFORM TO SINGATRON HAZARDOUS SUBSTANCE FREE SPEC.
  - GREEN PRODUCT IDENTIFICATION LABEL ON PACKAGING:
  - 使用線纜型號: 華仁 阻燃等級C級 (內芯和外护套) 使用溫度: -35°C—105°C 符合 ROHS標準 線纜類型: 2517, 外皮PVC內芯交聯聚乙稀 (XLPE) 2\*1.5mm<sup>2</sup>+1\*0.5mm<sup>2</sup> 內芯顏色: 棕、藍、白 黑色护套外径 7.2±0.25mm

H	0-RING	1	SILICONE	BLUE
G	MALE PIN	3	Phosphor Bronze	1~3u" GOLD PLATING OVER NICKEL PLATING
F	FEMALE BODY	1	PA66	BLACK
E	SPRING	1	SUS	N/A
D	LOCK NUT	1	PC	GREY
C	INNER MOLD	1	TPU	NATURAL
B	OVER MOLD	1	TPU	BLACK
A	CABLE	1	2C*1.5mm <sup>2</sup> +1C*0.5mm <sup>2</sup> OD:7.2mm	BLACK

UNLESS OTHERWISE SPECIFIED TOLERANCES

Singatron Enterprise Co., Ltd.  
信譽企業股份有限公司

DECIMALS:	ANGLES:
X :±0.5	X :±2°
X.X :±0.3	X.X :±1°
X.XX :±0.2	

TITLE	CIRULAR SERIES QUICK TYPE STANDARD SIZE FEMALE CONN. MALE 3PIN (180° IP67)
DWN	Vicky PART NO.:2013016-W03408H
CHKD	JF SCALE 2:1 UNIT: mm
APVD	Steve SIZE: A3 SHEET: 1 OF 1 REV: A

CUSTOMER COPY