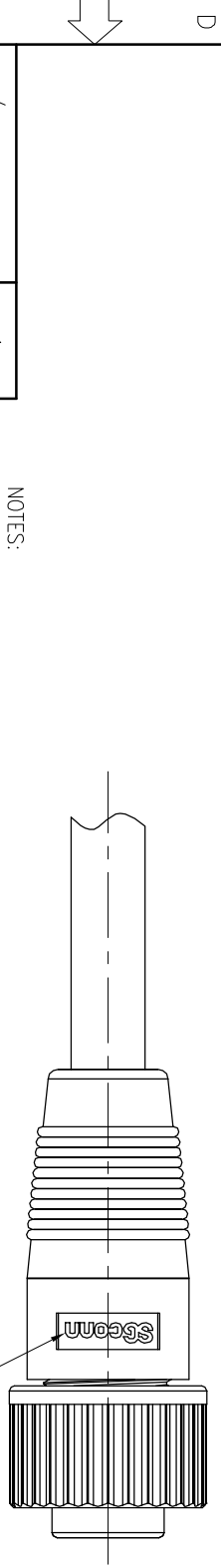
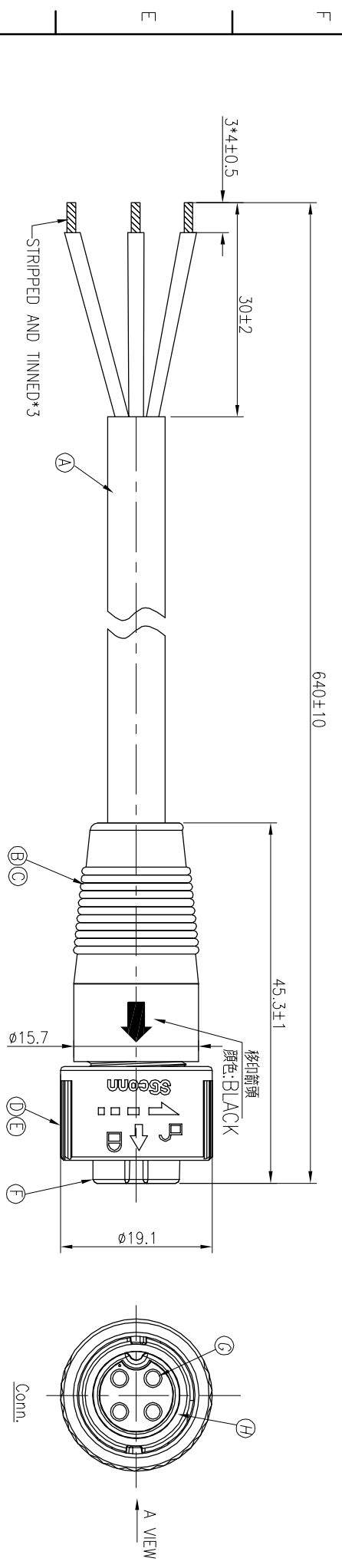


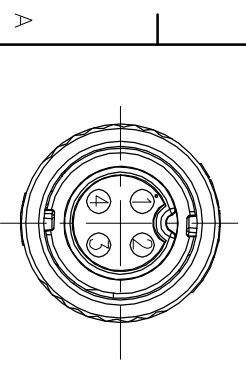
REV.	ECN NO.	OR DESCRIPTION	REVISED	DATE
A	PDR NO.:S170717-3A	Vicky	2017.07.17	



- NOTES:
- ELECTRICAL CHARACTERISTICS:
 - 1-1 CURRENT RATING: 5 AMPS.
 - 1-2 CONTACT RESISTANCE: 5mOhm Max.
 - 1-3 INSULATION RESISTANCE: 100 Mohm Min. at 500VDC.
 - 1-4 BREAKDOWN VOLTAGE: 500VAC PER MINUTE.
 - ENVIRONMENTAL:
 - 2-1 OPERATING TEMPERATURE: -35°C TO +105°C.
 - 2-2 SEALING REQUIREMENTS: IP67.
 - OTHER GENERAL SPEC TO REFER"QUICK SERIES GENERAL SPEC".
 - FOR TECHNICAL DATA REFER TO YOUR LOCAL SINGATRON ELECTRONICS SALES OFFICE.
 - ALL DIMENSIONS ARE NOMINAL FOR REFERENCE ONLY UNLESS OTHERWISE STATED.
 - TO CONFORM TO SINGATRON HAZARDOUS SUBSTANCE FREE SPEC.
 - GREEN PRODUCT IDENTIFICATION LABEL ON PACKAGING: [\(see page 8\)](#)
 - 使用線纜型號: 華仁 2517 外皮PVC內芯交聯聚乙烯 (XLPE) 3*0.5mm² 外徑 5.8±0.25mm 白色 (RL9016) 护套 (參考客戶提供的样品), 內芯顏色白、橙、黑, 阻燃等級C級 (內芯和外护套) 使用溫度-35°C—105°C 符合ROHS标准

/	4
ORANGE	3
BLACK	2
WHITE	1
WIRE COLOR	CONN.

PIN OUT
CONN.



1. ELECTRICAL CHARACTERISTICS:
- 1-1 CURRENT RATING: 5 AMPS.
 - 1-2 CONTACT RESISTANCE: 5mOhm Max.
 - 1-3 INSULATION RESISTANCE: 100 Mohm Min. at 500VDC.
 - 1-4 BREAKDOWN VOLTAGE: 500VAC PER MINUTE.
2. ENVIRONMENTAL:
- 2-1 OPERATING TEMPERATURE: -35°C TO +105°C.
 - 2-2 SEALING REQUIREMENTS: IP67.
3. OTHER GENERAL SPEC TO REFER"QUICK SERIES GENERAL SPEC".
4. FOR TECHNICAL DATA REFER TO YOUR LOCAL SINGATRON ELECTRONICS SALES OFFICE.
5. ALL DIMENSIONS ARE NOMINAL FOR REFERENCE ONLY UNLESS OTHERWISE STATED.
6. TO CONFORM TO SINGATRON HAZARDOUS SUBSTANCE FREE SPEC.
7. GREEN PRODUCT IDENTIFICATION LABEL ON PACKAGING: [\(see page 8\)](#)
8. 使用線纜型號: 華仁 2517 外皮PVC內芯交聯聚乙烯 (XLPE) 3*0.5mm² 外徑 5.8±0.25mm 白色 (RL9016) 护套 (參考客戶提供的样品), 內芯顏色白、橙、黑, 阻燃等級C級 (內芯和外护套) 使用溫度-35°C—105°C 符合ROHS标准

H	0-RING	1	SILICONE	BLUE
G	MALE PIN	4	BRASS	1~3u" GOLD PLATING OVER NICKEL PLATING
F	BODY	1	PA66+25%GF	WHITE
E	SPRING	1	SUS	N/A
D	LOCK NUT	1	PA66	WHITE
C	INNER MOLD	1	TPU	NATURAL
B	OVER MOLD	1	TPU	WHITE
A	CABLE	1	2517 3*0.5mm ² OD:5.8mm	WHITE PVC JACKET
NO	DESCRIPTION	QTY	MATERIAL	PLATING & COLOR
UNLESS OTHERWISE SPECIFIED TOLERANCES				
Singatron Enterprise Co., Ltd. 信營企業股份有限公司				
TITLE CIRCULAR SERIES QUICK TYPE STANDARD SIZE				
DIM Wicky PART NO. 2QT3016-W04302H				
CHKD JF SCALE 2:1 UNIT: mm				
APVD Steve SIZE: A3 SHEET: 1 OF 1 REV: A				

CUSTOMER COPY