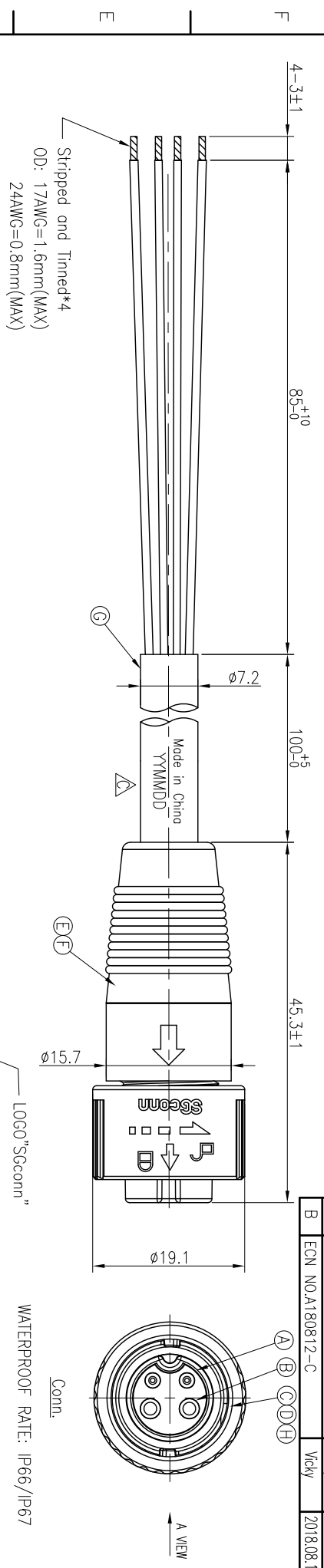
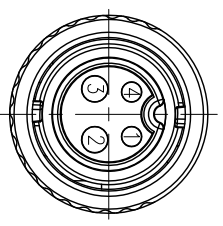


REV. ECN NO. OR DESCRIPTION	REVISED	DATE
A PDR NO.: S151211-3A	Ycky	2016.01.13
B ECN NO.A180812-C	Ycky	2018.08.15

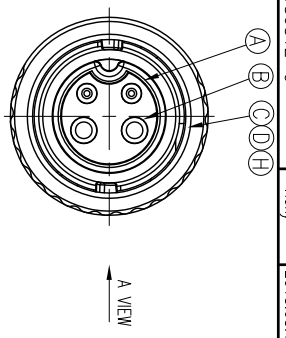
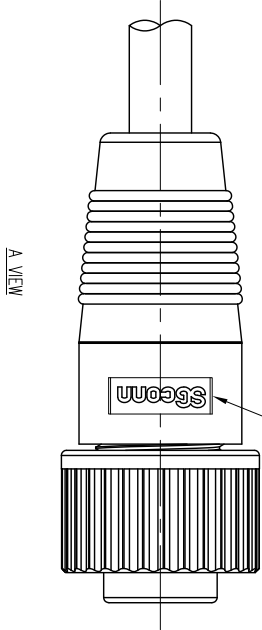


TX P/N	SINGATRON P/N
D30028706	ZQT3016-W04801H

BLACK(24#)	4
BLUE(17#)	3
BROWN(17#)	2
WHITE(24#)	1
WIRE COLOR	CONN.
PIN OUT	



- NOTES:
1. WATERPROOF RATE: IP66/IP67
 2. ELECTRICAL CHARACTERISTICS TEMPERATURE RANGE:-40° TO +105°
 3. SPECIFICATIONS:SEE "QUICK SERIES GENERAL SPEC".
 4. TO CONFORM TO ROHS REQUIREMENT AND REACH REGULATION
 5. GREEN PRODUCT IDENTIFICATION LABEL ON PACKAGING: **GR-PASS**
 6. China RoHS, RoHS & REACH COMPLIANCE
 7. NON-HUMAN FACTORS CAUSE SERVICE LIFE IS 5 YEARS
 8. LAZE DATE CODE "YYMMDD" ON TOP OF OVER MOLD
- CONTACT RESISTANCE: 0.1 ohm (connector&soldering point)
+0.0163 ohm/meter(cable)
RATING: 60V AC/DC 10A(PIN2&PIN3) 5A(PIN1&PIN4).
TEST CONDITION: DC300V 10Mohm 10ms



Pin Assignments	Front View
-----------------	------------

H	DESCRIPTION	QTY	MATERIAL	PLATING & COLOR
H	SPRING	1	SUS	N/A
G	CABLE	1	UL21996-17#*2C+P+ Sun Res Wet60°C Cable	BLACK(PVC JACKET)
F	INNER MOLD	1	TPEE	NATURAL
E	OVER MOLD	1	TPEE	BLACK
D	O-RING	1	SILICONE	BLUE
C	LOCK NUT	1	PC	GRAY
B	MALE PIN	4	BRASS	1~3u" GOLD PLATING OVER NICKEL PLATING
A	BODY	1	PA66	BLACK
NO	DESCRIPTION	QTY	MATERIAL	PLATING & COLOR

UNLESS OTHERWISE SPECIFIED TOLERANCES

Suzhou Singatron Auto Electronics CO.,LTD.
蘇州信誼汽車電子有限公司

CIRCULAR STANDARD SIZE (QUICK TYPE)
FEMALE CONN. MALE (2+2) PIN(10+5)A

TITLE: **PART NO.ZQT3016-W04801H**

DWN Erod SCALE 2:1 UNIT: mm

CHKD JY SIZE: A3 SHEET: 1 OF 1 REV: C

APVD JF

CUSTOMER COPY