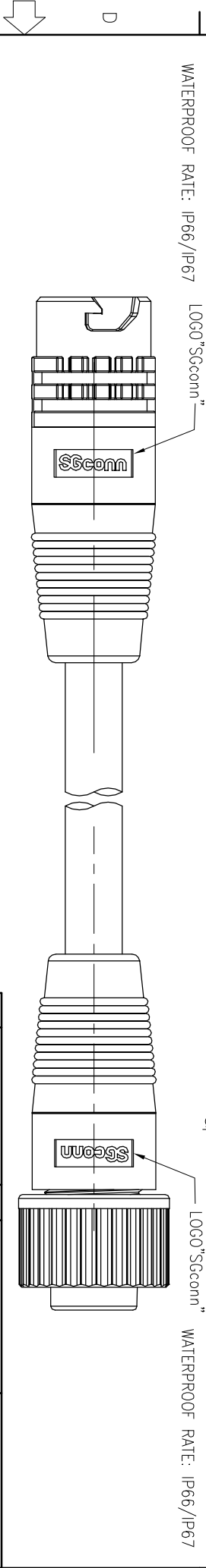
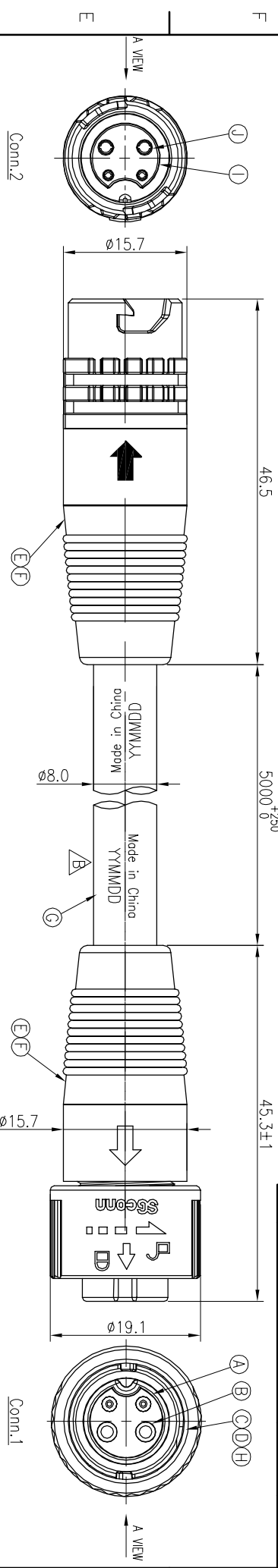


ECN NO.:S202109-C01	RZ	2022.03.23	REV. ECN NO. OR DESCRIPTION	REVISED	DATE
C			A PDR NO.:A180302-3D	Vicky	2018.03.07
			B ECN NO.:S202111-E10	LEI	2021.11.26

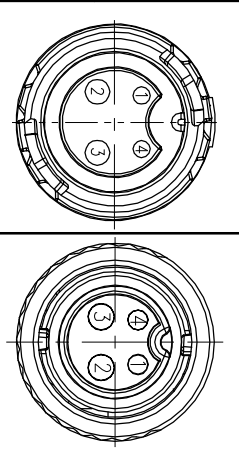


4	BLACK(24AWG)	4
3	BLUE(17AWG)	3
2	BROWN(17AWG)	2
1	WHITE(24AWG)	1
CONN.2 WIRE COLOR		CONN.1
PIN OUT		CONN.1
CONN.2		CONN.1

TX P/N	SINGATRON P/N
AM171090055	ZQT3016-W04814H

NOTES:

1. WATERPROOF RATE: IP66/IP67
2. ELECTRICAL CHARACTERISTICS
3. CONTACT RESISTANCE: 0.1 ohm (connector&soldering point)
+0.0163 ohm/meter(cable)
4. RATING: 60V AC/DC 10A(PIN2&PIN3) 5A(PIN1&PIN4).
5. TEST CONDITION: DC300V 10Mohm 10ms
6. SPECIFICATIONS:SEE "QUICK SERIES GENERAL SPEC".
7. TO CONFORM TO ROHS REQUIREMENT AND REACH REGULATION
8. GREEN PRODUCT IDENTIFICATION LABEL ON PACKAGING:
9. NON-HUMAN FACTORS CASE SERVICE LIFE IS 5 YEARS
10. LAZE DATE CODE "YYMMDD" ON TOP OF OVER MOLD



Pin Assignments
Front View

J	FEMALE PIN	4	Phosphor Bronze	1~3u" GOLD PLATING OVER NICKEL PLATING
I	BODY	1	PA66	BLACK
H	SPRING	1	SUS	N/A
G	CABLE	1	UL21996 17AWG*2C+ 24AWG*1P 007.2 105°C	UV RESISTANCE BLACK PVC JACKET
F	INNER MOLD	1	TPEE	NATURAL
E	OVER MOLD	1	TPEE	BLACK
D	O-RING	1	SILICONE	BLUE
C	LOCK NUT	1	PC	GRAY
B	MALE PIN	4	BRASS	1~3u" GOLD PLATING OVER NICKEL PLATING
A	BODY	1	PA66	BLACK
NO	DESCRIPTION	QTY	MATERIAL	PLATING & COLOR

UNLESS OTHERWISE SPECIFIED TOLERANCES

Suzhou Singatron Auto Electronics CO.,LTD.
蘇州信譽汽車電子有限公司

DECIMALS: ANGLES:

X	:±0.5	X	:±2°
X.X	:±0.3	X.X	:±1°
X.XX	:±0.2		

TITLE: CIRCULAR STANDARD SIZE (quick type)
FEMALE CONN. MALE (2+2) PIN10+5/A

CHKD: JF SCALE: 2:1 UNIT: mm

APVD: Steve SIZE: A3 SHEET: 1 OF 1 REV: C

CUSTOMER COPY