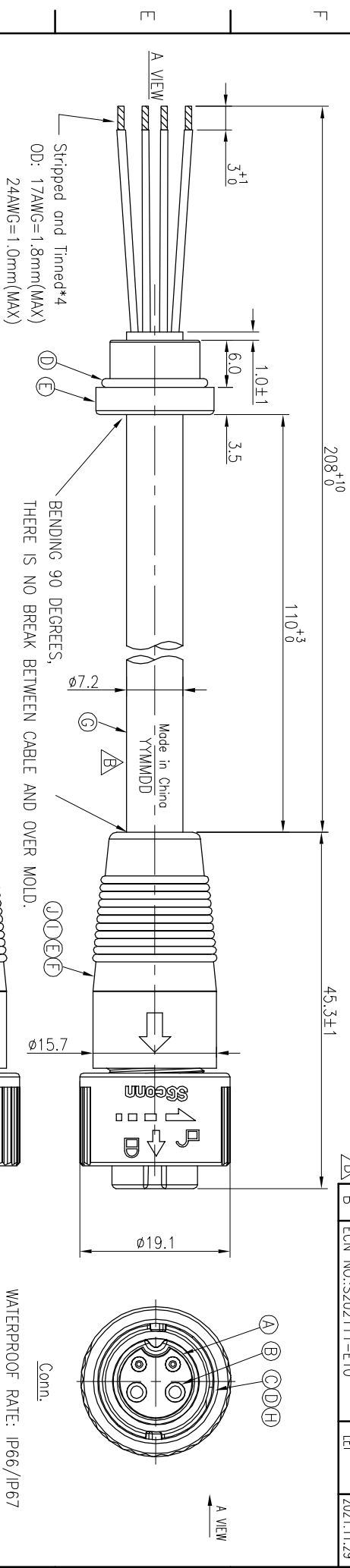
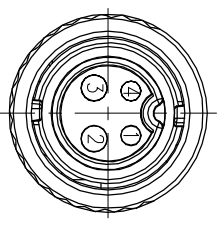
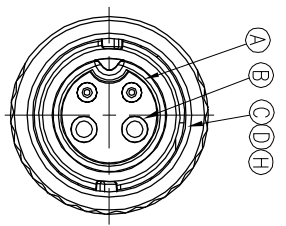
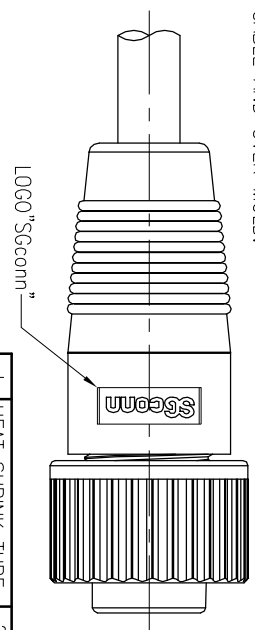
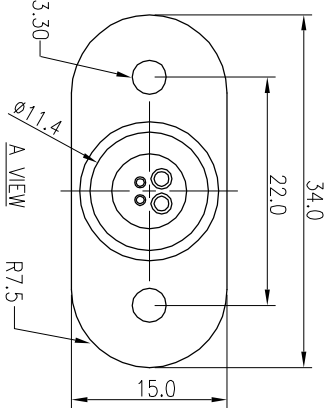


REV	ECN NO	OR DESCRIPTION	REVISED	DATE
A	PDR NO.:A180426-3A		Yckv	2018.05.03
B	ECN NO.:S202111-E10		LEI	2021.11.29



DMAT NO.	SINGATRON NO.
D30044676	ZOT3016-W04815H

BLACK(24#)	4
BLUE(17#)	3
BROWN(17#)	2
WHITE(24#)	1
WIRE COLOR	CONN.
PIN OUT	



- NOTES:
1. WATERPROOF RATE: IP66/67
  2. ELECTRICAL CHARACTERISTICS  
TEMPERATURE RANGE: -40° TO +105°C  
RATING: 60V AC/DC 10A(PIN2&PIN3) 5A(PIN1&PIN4).  
TEST CONDITION: DC300V 10Mohm 10ms
  3. PULL FORCE TEST:60N min.
  4. SPECIFICATIONS:SEE "QUICK SERIES GENERAL SPEC".
  5. TO CONFORM TO ROHS REQUIREMENT AND REACH REGULATION
  6. GREEN PRODUCT IDENTIFICATION LABEL ON PACKAGING:
  7. NON-HUMAN FACTORS CAUSE SERVICE LIFE IS 5 YEARS
  8. LASE DATE CODE "YYMMDD" ON TOP OF OVER MOLD  
DATE CODE: YYMMDD  
DAY MONTH YEAR

J	HEAT SHRINK TUBE	2	Ø3.0 300V	BLACK
I	HEAT SHRINK TUBE	2	Ø2.5 300V	BLACK
H	SPRING	1	SUS	N/A
G	CABLE	1	UL21996 17#*2C+P+ 24#*1P(UV) OD7.2 Sun Res Wei60°C Cable	BLACK (PVC JACKET)
F	INNER MOLD	1	TPEE	NATURAL
E	OVER MOLD	2	TPEE	BLACK
D	O-RING	2	SILICONE	BLUE
C	LOCK NUT	1	PC	GRAY
B	MALE PIN	4	BRASS	1~3u" GOLD PLATING OVER NICKEL PLATING
A	BODY	1	PA66	BLACK
NO	DESCRIPTION	QTY	MATERIAL	PLATING & COLOR

UNLESS OTHERWISE SPECIFIED TOLERANCES

Suzhou Singatron Auto Electronics CO.,LTD.  
蘇州信音汽車電子有限公司

CIRCULAR STANDARD SIZE (QUICK TYPE)  
FEMALE CONN. MALE (2+2) PIN(10+5)A

DECIMALS:	ANGLES:
X :±0.5 X :±2	
X.X :±0.3 X.X :±1	
X.XX :±0.2	

TITLE: PART NO.2QT3016-W04815H  
DWG: LEI  
CHKD: JF  
APVD: JF  
SCALE: 2:1  
UNIT: mm  
SIZE: A3  
SHEET: 1 OF 1  
REV: B

CUSTOMER COPY