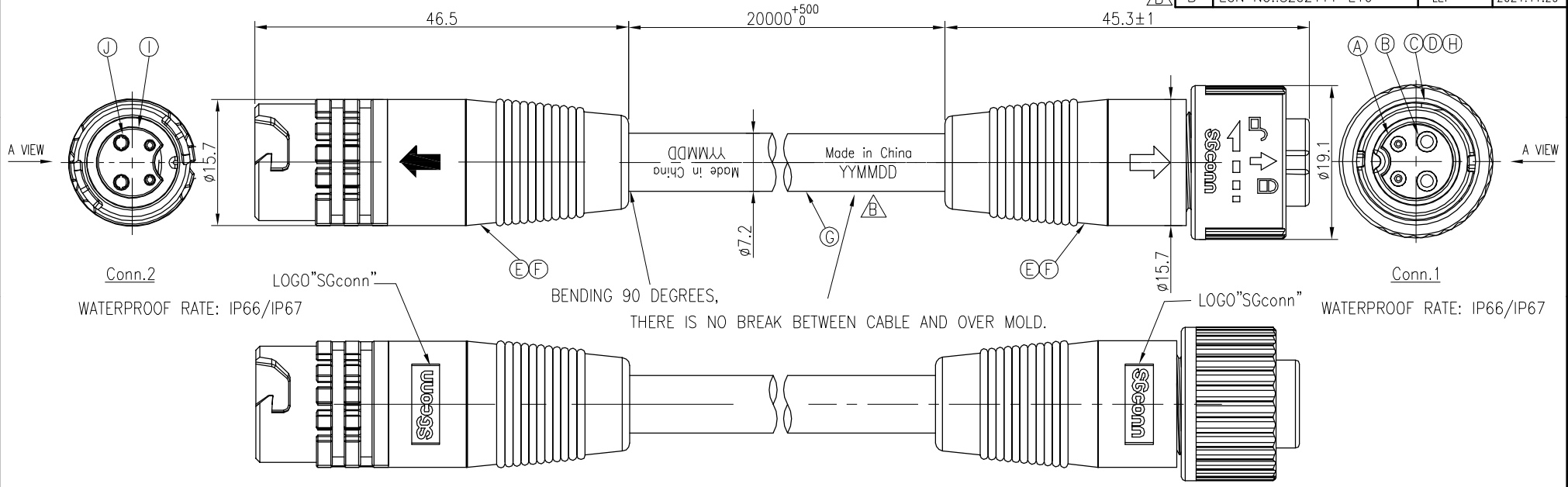


REV.	ECN NO OR DESCRIPTION	REVISED	DATE
A	PDR NO.:A180426-3G	Vicky	2018.05.03
B	ECN NO.:S202111-E10	LEI	2021.11.29



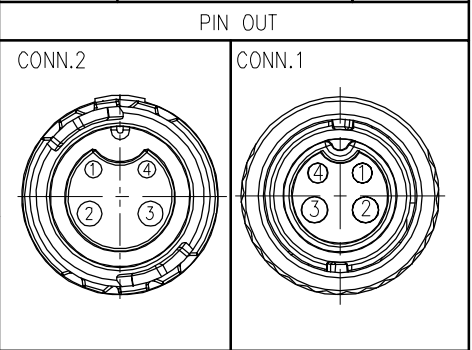
Conn.2
WATERPROOF RATE: IP66/IP67

BENDING 90 DEGREES,
THERE IS NO BREAK BETWEEN CABLE AND OVER MOLD.

Conn.1
WATERPROOF RATE: IP66/IP67

4	BLACK(24#)	4
3	BLUE(17#)	3
2	BROWN(17#)	2
1	WHITE(24#)	1
CONN.2	WIRE COLOR	CONN.1

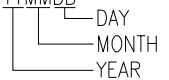
TWIST



Pin Assignments
Front View

NOTES:

1. WATERPROOF RATE: IP66/IP67
2. ELECTRICAL CHARACTERISTICS
TEMPERATURE RANGE: -40° TO +105°
CONTACT RESISTANCE: 0.1 ohm (connector&soldering point)
+0.0163 ohm/meter(cable)
RATING: 60V AC/DC 10A(PIN2&PIN3) 5A(PIN1&PIN4).
TEST CONDITION: DC300V 10Mohm 10ms
3. SPECIFICATIONS:SEE "QUICK SERIES GENERAL SPEC".
4. TO CONFORM TO ROHS REQUIREMENT AND REACH REGULATION
5. GREEN PRODUCT IDENTIFICATION LABEL ON PACKAGING: **G.P. PASS**
6. NON-HUMAN FACTORS CAUSE SERVICE LIFE IS 5 YEARS
7. LASE DATE CODE "YYMMDD" ON TOP OF OVER MOLD
DATE CODE: YYMMDD



J	FEMALE PIN	4	Phosphor Bronze	1~3u" GOLD PLATING OVER NICKEL PLATING
I	BODY	1	PA66	BLACK
H	SPRING	1	SUS	N/A
G	CABLE	1	UL21996 17#*2C+P+24#*1P(UV) OD7.2 Sun Res Wet60°C Cable	BLACK(PVC JACKET)
F	INNER MOLD	2	TPEE	NATURAL
E	OVER MOLD	2	TPEE	BLACK
D	O-RING	1	SILICONE	BLUE
C	LOCK NUT	1	PC	GRAY
B	MALE PIN	4	BRASS	1~3u" GOLD PLATING OVER NICKEL PLATING
A	BODY	1	PA66	BLACK
NO	DESCRIPTION	QTY	MATERIAL	PLATING & COLOR

UNLESS OTHERWISE SPECIFIED TOLERANCES

Suzhou Singatron Auto Electronics CO.,LTD.
蘇州信音汽車電子有限公司

DECIMALS:	ANGLES:	TITLE	CIRCULAR STANDARD SIZE (QUICK TYPE)
X :±0.5	X :±2°	DWN	MALE CONN. FEMALE (2+2) PIN(10+5)A
X.X :±0.3	X.X :±1°	CHKD	JF
X.XX :±0.2		APVD	JF

PART NO.2QT3016-W04816H

SCALE 2:1 UNIT: mm

SIZE: A3 SHEET:1 OF 1 REV: B

CUSTOMER COPY