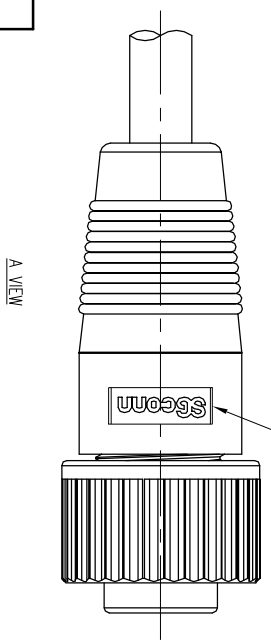
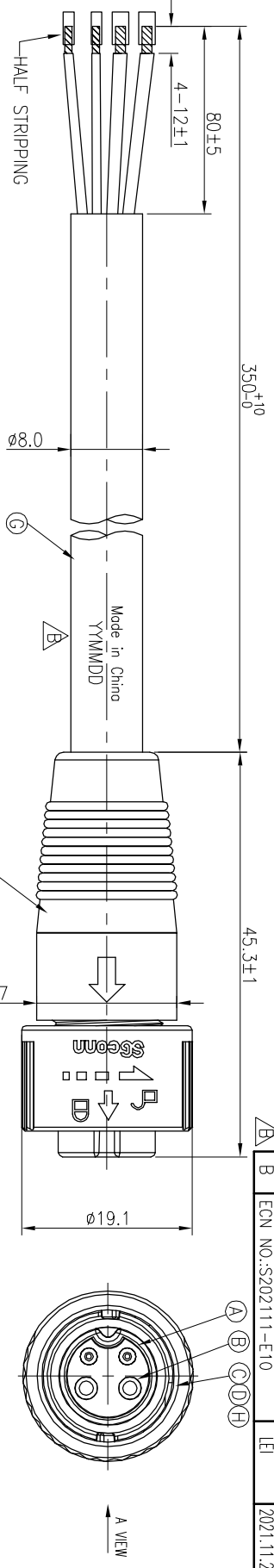
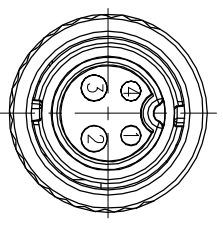


REV	ECN NO	OR DESCRIPTION	REVISED	DATE
A	PDR NO.:A181012-3B		Wcky	2018.10.16
B	ECN NO.:S202111-E10	LEI		2021.11.29



CUSTOMER P/N	P/N
/	20T3016-W04817H

WHITE(24#)	4
BLACK(14#)	3
RED(14#)	2
YELLOW(24#)	1
WIRE COLOR	CONN.
PIN OUT	



- NOTES:
1. WATERPROOF RATE: IP66/67
 2. ELECTRICAL CHARACTERISTICS
TEMPERATURE RANGE: -40° TO +80°
 3. TEST CONDITION: DC300V 10Mohm 10ms
 4. SPECIFICATIONS: SEE "QUICK SERIES GENERAL SPEC".
 5. TO CONFORM TO ROHS REQUIREMENT AND REACH REGULATION
 6. GREEN PRODUCT IDENTIFICATION LABEL ON PACKAGING:
 7. NON-HUMAN FACTORS CAUSE SERVICE LIFE IS 5 YEARS
 7. LASE DATE CODE "YYMMDD" ON TOP OF OVER MOLD
DATE CODE: YYMMDD



H	SPRING	1	SUS	N/A
G	CABLE	1	UL2464 14#*2C+ 24#*1P OD8.0	UV RESISTANCE BLACK PVC JACKET
F	INNER MOLD	1	TPU	NATURAL
E	OVER MOLD	1	TPEE	BLACK
D	O-RING	1	SILICONE	BLUE
C	LOCK NUT	1	PC	GRAY
B	MALE PIN	4	BRASS	1~3u" GOLD PLATING OVER NICKEL PLATING
A	BODY	1	PA66	BLACK
NO	DESCRIPTION	QTY	MATERIAL	PLATING & COLOR

UNLESS OTHERWISE SPECIFIED TOLERANCES

DECIMALS:	ANGLES:
X :±0.5	X :±2°
X.X :±0.3	X.X :±1°
X.XX :±0.2	

Suzhou Singatron Auto Electronics CO.,LTD.
 蘇州新格汽車電子有限公司

TITLE	CIRCULAR STANDARD SIZE (QUICK TYPE)
DWN	LEI
CHKD	JF
APVD	JF

PART NO. 20T3016-W04817H
SCALE 2:1 UNIT: mm

SIZE: A3 SHEET: 1 OF 1 REV: B

CUSTOMER COPY