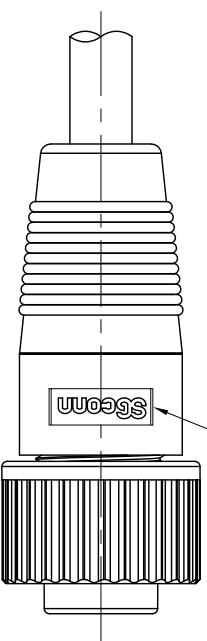
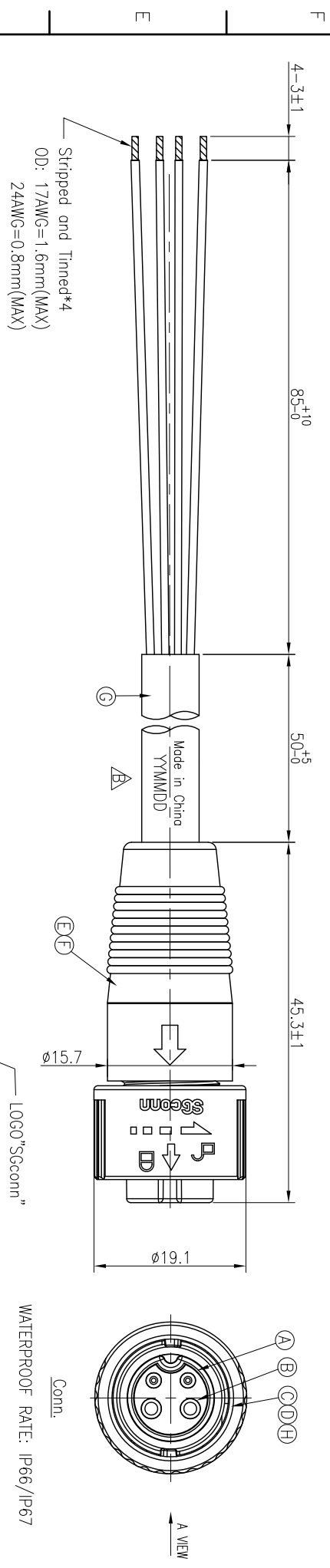


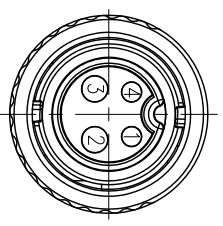
REV.	ECN NO.	OR DESCRIPTION	REVISED	DATE
A	PDR NO.:	A190114-3A	TZ	2019.03.13
B	ECN NO.:	S202106-E15	Erod	2021.12.15



TX P/N	SINGATRON P/N
D30052125	ZQT3016-W04819H

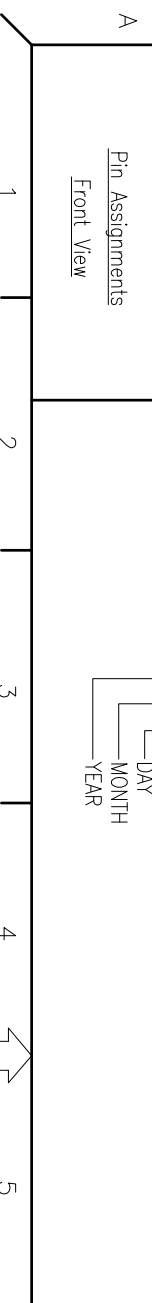
BLACK(24#)	4
BLUE(17#)	3
BROWN(17#)	2
WHITE(24#)	1
WIRE COLOR	CONN.

PIN OUT



Pin Assignments
Front View

- NOTES:
1. WATERPROOF RATE: IP66/IP67
 2. ELECTRICAL CHARACTERISTICS
TEMPERATURE RANGE: -40° TO +105°
CONTACT RESISTANCE: 0.1 ohm (connector&soldering point)
+0.0163 ohm/meter(cable)
 3. RATING: 60V AC/DC 10A(PIN2&PIN3) 5A(PIN1&PIN4).
 4. TEST CONDITION: DC300V 10Mohm 10ms
 5. SPECIFICATIONS:SEE "QUICK SERIES GENERAL SPEC".
 6. TO CONFORM TO ROHS REQUIREMENT AND REACH REGULATION
 7. GREEN PRODUCT IDENTIFICATION LABEL ON PACKAGING: **GR-PASS**
 8. China RoHS, RoHS & REACH COMPLIANCE
 9. NON-HUMAN FACTORS CAUSE SERVICE LIFE IS 5 YEARS
 10. LAZE DATE CODE "YYMDD" ON TOP OF OVER MOLD
- DATE CODE: YYMDD
DAY
MONTH
YEAR



H	SPRING	1	SUS	N/A
G	CABLE	1	UL21996-17#*2C+P+ 24#*1P(UV) 0D7.2 Sun Res Wet60°C Cable	BLACK(PVC JACKET)
F	INNER MOLD	1	TPEE	NATURAL
E	OVER MOLD	1	TPEE	BLACK
D	O-RING	1	SILICONE	BLUE
C	LOCK NUT	1	PC	GRAY
B	MALE PIN	4	BRASS	1~3u" GOLD PLATING OVER NICKEL PLATING
A	BODY	1	PA66	BLACK
NO	DESCRIPTION	QTY	MATERIAL	PLATING & COLOR

UNLESS OTHERWISE SPECIFIED TOLERANCES

Suzhou Singatron Auto Electronics CO.,LTD.
蘇州信音汽車電子有限公司

TITLE: CIRCULAR STANDARD SIZE (QUICK TYPE)
FEMALE CONN. MALE (2+2) PIN(10+5)A

DWN Erod PART NO. ZQT3016-W04819H

CHKD JY SCALE 2:1 UNIT: mm

APVD JF SIZE: A3 SHEET: 1 OF 1 REV: B

CUSTOMER COPY