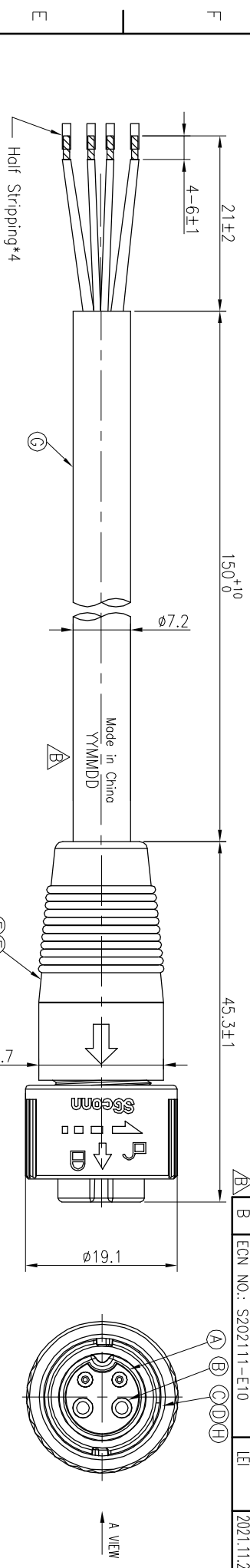
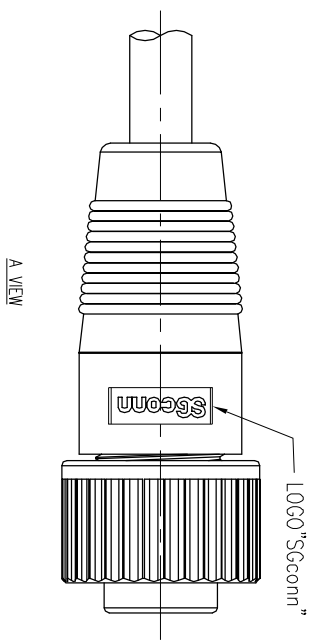


REV	ECN NO	OR DESCRIPTION	REVISED	DATE
A	PDR NO.: A190813-1A		Weky	2019.10.24
B	ECN NO.: S202111-E10		LEI	2021.11.29



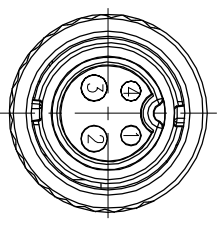
TX P/N	SINGATRON P/N	TITLE
AS003330055	2Q13016-W04820H	QUICK LOCK MALE CON STARTER CABLE 0.15M



Color	Quantity	Wire Color	Conn.
BLACK(24#)	4		
BLUE(17#)	3		
BROWN(17#)	2		
WHITE(24#)	1		
WIRE COLOR		CONN.	

- NOTES:
1. WATERPROOF RATE: IP66/IP67
 2. ELECTRICAL CHARACTERISTICS
TEMPERATURE RANGE:-40° TO +105°
 - CONTACT RESISTANCE: 0.1 ohm (connector&soldering point)
+0.0163 ohm/meter(cable)

- RATING: 60V AC/DC 10A(PIN2&PIN3) 5A(PIN1&PIN4),
TEST CONDITION: DC300V 10Mohm 10ms
3. SPECIFICATIONS:SEE "QUICK SERIES GENERAL SPEC".
4. TO CONFORM TO ROHS REQUIREMENT AND REACH REGULATION
5. GREEN PRODUCT IDENTIFICATION LABEL ON PACKAGING
6. China RoHS, RoHS & REACH COMPLIANCE
7. NON-HUMAN FACTORS CAUSE SERVICE LIFE IS 5 YEARS
8. LAZE DATE CODE "YYMMDD" ON TOP OF OVER MOLD
DATE CODE: YYMMDD



Pin Assignments
Front View

H	DESCRIPTION	QTY	MATERIAL	PLATING & COLOR
H	SPRING	1	SUS	N/A
G	CABLE	1	UL21996 17#*2C+P+ 24#*1P(UV) 0D7.2 Sun Res Wet60°C Cable	BLACK(PVC JACKET)
F	INNER MOLD	1	TPEE	NATURAL
E	OVER MOLD	1	TPEE	BLACK
D	O-RING	1	SILICONE	BLUE
C	LOCK NUT	1	PC	GRAY
B	MALE PIN	4	BRASS	1~3u" GOLD PLATING OVER NICKEL PLATING
A	BODY	1	PA66	BLACK
NO	DESCRIPTION			

UNLESS OTHERWISE SPECIFIED TOLERANCES

Suzhou Singatron Auto Electronics CO.,LTD.
蘇州信音汽車電子有限公司

DECIMALS:	ANGLES:
X :±0.5	X :±2°
X.X :±0.3	X.X :±1°
X.XX :±0.2	

TITLE	CIRCULAR STANDARD SIZE (QUICK TYPE)
DWN	LEI
CHKD	JF
APVD	JF

PART NO. 2Q13016-W04820H
SCALE 2:1 UNIT: mm
SIZE: A3 SHEET: 1 OF 1 REV: B
CUSTOMER COPY